

SCHEDULE OF SPARE PARTS

REF. NO. PART NO.

QUANTITY
GROUP ASS'LY

NOTES

GROUP E.6. OIL PUMP & RELIEF VALVE (Cont'd)

CASING, oil pump assembly consisting of (Cont'd)

Stud, 2 BA, union lockplate	X.63	KB.250/Z	1	
Stud, .250" dia. cover retaining	X.68	KB.352/Z	6	
CONNECTION, banjo relief valve	5	E.85380	1	
FLOAT, suction pipe, assembly	6	RE.4028	1	
GEAR, driven, pump chamber assembly consisting of	7	RE.9760	1	
Bush		E.86835	1	*
+ Gear		EB.3899	1	
GEAR, driven	8	RE.20968	1	XXX
GEAR, driving pump chamber		EB.3898	1	
KEY, Woodruff, chamber gear	X.18	KC.501	1	
LOCKPLATE, delivery pipe union	9	EB.3903	1	
NUT, full, 2 BA, union lock plate	X.21	K.4006/Z	1	
NUT, full, .250" dia. cover	X.21	K.4008/Z	6	
NUT, half, .312" dia. driving gear to drive shaft	X.24	K.4313/Z	1	
PIN, taper, .250" dia. x 1.000" long suction pipe	X.32	K.4802	1	
PIPE, delivery assembly, consisting of:	10	RE.9853	1	
+ Flange		EB.3902	1	
+ Nipple		E.86663	1	
+ Nut		E.86653	1	
+ Pipe		EB.3901	1	
PUMP, oil assembly, complete		RE.9862	1	
SHAFT, driving	11	RE.13399	1	
UNION, delivery pipe, pump casing	12	E.86643	1	
UNION, .312" dia. pipe relief valve		EB.4174	1	
VALVE, H.P. and L.P.	13	E.87823	2	
WASHER, aluminium, banjo connection	14	RE.3523	2	
WASHER, aluminium, H.P. valve cap	X.83	KB.1089	1	
WASHER, aluminium, L.P. valve cap	X.83	KB.1083	1	
WASHER, aluminium, .875" dia. delivery pipe union	X.83	KB.1083	1	
WASHER, lock, 2 BA, union lock plate stud	X.89	KB.7104	1	
WASHER, lock, .250" dia. cover stud	X.89	KB.7106	6	
WASHER, plain, 2 BA, union lock plate stud	X.85	K.4404/Z	1	
WASHER, plain, .312" dia. drive shaft	X.85	K.4410/Z	1	

NOTE:- Parts marked ** replace parts marked *

E15/11/53.

SCHEDULE OF SPARE PARTS

REF. NO. PART NO.

QUANTITY
GROUP ASSEMBLY

NOTES

GROUP E.7. SPRING DRIVE.

Comprising:

BOLT, damper wheel	1	RE.3946	6	
DOG, starting	2	RE.4033	1	
DRUM, friction	3	RE.6714	1	
HUB, wheel assembly with bearing RE.3937(1 off)	4	RE.4032	1	
KEY, Woodruff pulley, .125" x .625"	X.18	KC.505	1	A
KEY, Woodruff pulley, .1255" x .625"		KC.506	1	A
KEY, Woodruff pulley, .126" x .625"		KC.507	1	A
KEY, Woodruff pulley, .1265" x .625"		KC.508	1	A
NUT, crankshaft driving drum retaining	5	EB.3227	1	
NUT, half, .250" dia. damper wheels and pinion	X.24	K.4310/Z	10	
PINION, assembly consisting of:	6	RE.3938A	1	
Bearing		RE.3936	1	
+ Pinion		RE.3938	1	
Stud, .250" dia.		KB.753/Z	4	
PLATE, dog, locking	7	RE.4034	1	
PLATE, spring assembly consisting of:	8	RE.3942A	1	
+ Plate, pressure		RE.3941	1	
+ Plate, spring		RE.3942	1	
Rivet, .125" dia.		KB.1854	12	
Rivet, .125" dia.		KB.1866	6	
Spigot, damper spring		RE.3944	6	
PULLEY, fan driving	9	RE.4031	1	
SCREW, cheesehead, .250" dia. lockplate	X.47	K.2010/Z	2	
SPRING, damper	10	RE.3943	6	
SPRING, driving, inner	11	E.57758	8	
SPRING, driving, outer	12	E.58239	8	
WASHER, damper springs	X.86	K.8808/Z	-	B
WASHER, friction, cotton	13	EW.935	2	
WASHER, locking crankshaft nut	14	EB.3228	1	
WASHER, lock, damper wheel bolt	15	RE.3947	6	
WASHER, plain, crankshaft nut	16	EB.3226	1	
WASHER, spring, .250" dia. lockplate	X.87	K.9008/Z	2	
WASHER, tab, locking pinion studs	X.89	KB.7106	4	
WHEEL, damper, front	17	RE.4030	1	
WHEEL, damper, rear	18	RE.3940	1	

GROUP E.8. VALVE MECHANISM.

Comprising:

ARM, rocker inlet valve, L.H. with bush RE.14388	1	RE.17796	3	
ARM, rocker, inlet valve, R.H. with bush RE.14388	2	RE.17795	3	
CAMSHAFT, with stud, KB.752/Z 4 Off	3	RE.6885A	1	*
CAMSHAFT, with set screw, RE.9354. 8 off		RE.19517A	1	0
GEAR, camshaft	4	RE.22149	1	

SCHEDULE OF SPARE PARTS

REF. NO. PART NO.

QUANTITY
GROUP ASSEMBLY

NOTES

GROUP E.8. VALVE MECHANISM. (Cont'd)

NUT, gear retaining	X.24	K.4310/Z	4	*
NUT, lock, exhaust tappet, adjusting	5	G.80757	6	
NUT, lock, inlet tappet, adjusting	6	RE.11588	6	
PACKING, inlet valve stem	7	EB.1886	6	
PEDESTAL, rocker shaft, centre	8	EB.3993	1	
PEDESTAL, rocker shaft, front	9	EB.3991	1	
PEDESTAL, rocker shaft, intermediate & rear	10	EB.3992	3	
PLATE, locking camshaft gear		RE.7172	1	*
PLATE, locking camshaft gear	11	RE.9347	1	O
PLUG, .437" dia. rocker shaft ends	X.27	KB.1058/Z	2	
PLUNGER, thrust	12	EB.4024	1	
RING, spring, inlet valve retaining	13	EB.1747	6	
ROD, push, inlet valve operating	14	RE.14036	6	
SCREW, countersunk head, 3 BA, front pedestal	X.49	K.2701/Z	1	
SCREW, exhaust tappet, adjusting	15	RE.7648	6	A
SCREW, exhaust tappet, adjusting		RE.17259	6	A
SCREW, inlet tappet, adjusting	16	RE.17792	6	
SHAFT, inlet rocker	17	RE.16387	1	
SPRING, inlet rocker	18	RE.13536	4	
SPRING, thrust	19	EB.4023	1	
SPRING, valve, exhaust	20	RE.15959	6	
SPRING, valve, inlet, inner	21	RE.6793	6	
SPRING, valve, inlet, outer	22	RE.6794	6	
TAPPET, exhaust valve			6	
1.18675 to 1.1870	23	RE.11782		A
1.1870 to 1.18725		RE.11783		A
1.18725 to 1.1875		RE.12971		A
1.1875 to 1.18775		RE.12972		A
1.18775 to 1.1880		RE.15178		A
1.1880 to 1.18825		RE.15179		A
TAPPET, inlet valve			6	
1.18675 to 1.1870	24	RE.15164		A
1.1870 to 1.18725		RE.15165		A
1.18725 to 1.1875		RE.15166		A
1.1875 to 1.18775		RE.15167		A
1.18775 to 1.1880		RE.15168		A
1.1880 to 1.18825		RE.15169		A
VALVE, exhaust	25	RE.3043	6	
VALVE, inlet	26	EB.3853	6	
WASHER, aluminium, .437" dia. rocker shaft plug	X.83	KB.1079	2	
WASHER, lock, .250" dia. gear to camshaft stud		KB.7106	4	*
WASHER, tab, gear to camshaft screws	27	RE.9348	4	O
WASHER, valve spring, exhaust bottom	28	RE.15960	6	
WASHER, valve spring, exhaust, top	29	RE.975	6	
WASHER, valve spring, inlet, bottom, inner	30	RE.3679	6	
WASHER, valve spring, inlet, bottom, outer	31	RE.3900	6	

SCHEDULE OF SPARE PARTS

REF. NO. PART NO.

QUANTITY
GROUP ASSEMBLY

NOTES

GROUP E.8. VALVE MECHANISM (Cont'd)

WASHER, valve spring, inlet, top	32	E.86941	6	
WEDGE, inlet and exhaust valves	33	EB.1748	12	

NOTES:- * To be used when camshaft is secured with 4 studs.
 O To be used when camshaft is secured with 8 set screws.

GROUP E.9. WHEELCASE.

Comprising:

BUTTON, thrust	1	RE.3493	1	
CASING, assembly with stud KB.402/Z	2	RE.4029	1	
CONNECTION, timing gear oil supply	3	EB.5017	1	
NUT, full .312" dia., engine mounting retaining	X.21	K.4009/Z	1	
NUT, half, .312" dia. camshaft thrust button	X.24	K.4313/Z	1	
WASHER, aluminium, .312" dia., camshaft thrust button	X.83	KB.1077	1	
WASHER, aluminium, .437" dia., timing gear oil connection	X.83	KB.1079	1	
WASHER, spring, .312" dia., engine mounting stud	X.87	K.9009/Z	1	

N.B. only one of the engine mounting studs is screwed into the wheelcase the remaining three pass through the wheelcase and screw into the crankcase. They will be found in Section E.2.

SECTION E

Continental 'R' Type
As for Bentley 'R' except:

GROUP E.1

CONTINENTAL A.B. & C Series

BENTLEY

<u>SIZE</u>	<u>PISTON ASSY.</u>	<u>PISTON</u>	<u>PISTON ASSY.</u>	<u>PISTON</u>
Std	RE.17489	RE.17479	RE.14773	RE.14761
.005	RE.17490	RE.17480	RE.15789	RE.15778
.010	RE.17491	RE.17481	RE.15790	RE.15779
.015	RE.17492	RE.17482	RE.15791	RE.15780
.020	RE.17493	RE.17483	RE.15792	RE.15781
.025	RE.17494	RE.17484	RE.15793	RE.15782
.030	RE.17495	RE.17485	RE.15794	RE.15783
.035	RE.17496	RE.17486	RE.15795	RE.15784
.040	RE.17497	RE.17487	RE.15796	RE.15785
.045	RE.17498	RE.17488	RE.15797	RE.15786

CONTINENTAL D Series

Piston, assy, consisting of

See below 6

Pin, gudgeon	RE.14858	1
Piston	See below	1
Ring, compression (1st)	See below	1
Ring, taper (2nd & 3rd)	See below	2
Ring, slotted	See below	1

<u>SIZE</u>	<u>PISTON ASSY.</u>	<u>PISTON</u>	<u>COMPRESSION RING</u>	<u>TAPER RING</u>	<u>SCRAPER RING</u>
Std	RE.20586	RE.20576	RE.20500	RE.20510	RE.14811
.005	RE.20587	RE.20577	RE.20501	RE.20511	RE.16416
.010	RE.20588	RE.20578	RE.20502	RE.20512	RE.16417
.015	RE.20589	RE.20579	RE.20503	RE.20513	RE.16418
.020	RE.20590	RE.20580	RE.20504	RE.20514	RE.16419
.025	RE.20591	RE.20581	RE.20505	RE.20515	RE.16420
.030	RE.20592	RE.20582	RE.20506	RE.20516	RE.16421
.035	RE.20593	RE.20583	RE.20507	RE.20517	RE.16422
.040	RE.20594	RE.20584	RE.20508	RE.20518	RE.16423
.045	RE.20594	RE.20585	RE.20509	RE.20519	RE.16424

CE/1/11/55

GROUP E.2.

	<u>Continental Qty.</u>		<u>Standard Qty.</u>		
ADAPTOR, crankcase, oil assy	RE.16767A	1	RE.13894A	1	
ADAPTOR, oil thermometer	RE.20115	1			
CRANKCASE & cylinders	RE.21447	1			*
Liner, cylinder	RE.17411	6			
Seat, valve	EB.4027	6			
CONNECTION, rocker oil feed	RE.16879	1	E.85380	1	
HOUSING, distributor	RE.21976	1	RE.9829	1	
JOINT, cylinder head to crankcase	RE.14764	1			FF
JOINT, cylinder head to crankcase	RE.16320	1			GG
JOINT, cylinder head to crankcase	UE.418	1			*
NUT, cylinder head to crankcase	RE.21854	37	K.4010/Z	37	*
NUT, reach, cylinder head to crankcase	RE.21856	2	RE.11531	2	*
RING, rubber, distributor drive shaft	KB.6206	1			
SCREW, .437"dia., clutch casing (RC)	KC.392/Z	2			=
SCREW, .437"dia., clutch casing (LC)	KC.372/Z	2			=
SCREW, .437"dia., clutch casing (RC&LC)	KC.376/Z	2			0
SCREW, .437"dia., clutch casing (RC&LC)	KC.372/Z	2			#
SCREW, .437"dia., clutch casing (RC&LC)	KC.376/Z	2			++
SCREW, .250"dia., distributor housing	RE.21528	1			
TACHOMETER, assy, distributor, consisting of	RE.16771	1			
Bush, end cover	GB.4812	1			
End cover and bearing	RE.16813	1			
Gear tachometer drive	RE.16839	1			
Joint, end cover	RE.16887	1			
Junction, straight assy with	RE.16798	1			
Cup retaining Junction	RE.6777	1			
Nut, end cover to distributor housing	RE.16799	1			
Piece, distance, distributor housing	K.4307/Z	3			
Plug, felt	RE.16842	1			
Stud, end cover to distributor housing	RE.22365	1			
Washer, spring, end cover to distributor housing	KB.250/Z	3			
Washer, spring, junction	K.9007/Z	3			
	KB.1078	1			

CE/2/11/55

GROUP E.2 (Continued)

WASHER, adaptor, oil thermometer	RE.16376	1
WASHER, Allum, distributor housing	KB.1076/Z	1
WASHER, joint, adaptor, oil thermometer	KB.1081	1

The following are deleted.

FULCRUM, T.V. controls	RB.19988	1
PIECE, distance, fulcrum T.V. control	RE.19989	1
SCREW, set, fulcrum T.V. control	KC.152/Z	1
SCREW, distributor retaining	RE.3559	1
SCREW, end plate to crankcase	KC.170/Z	1
WASHER, tab, end plate to crankcase	KB.7104	1
WASHER, plain, fulcrum, TV, control	K.4405/Z	1
WASHER, spring, distributor retaining	K.9008/Z	1
WASHER, spring, fulcrum, TV, control	K.9008/Z	1
WASHER, spring, fulcrum, TV, control	K.9006/Z	1

NOTES:

- * 'D' Series Onwards.
- = 'B & C' Series with Synchromesh gearbox.
- Q 'B & C' Series with Automatic gearbox.
- // 'D' Series with Synchromesh gearbox.
- ++ 'D' Series with Automatic gearbox.

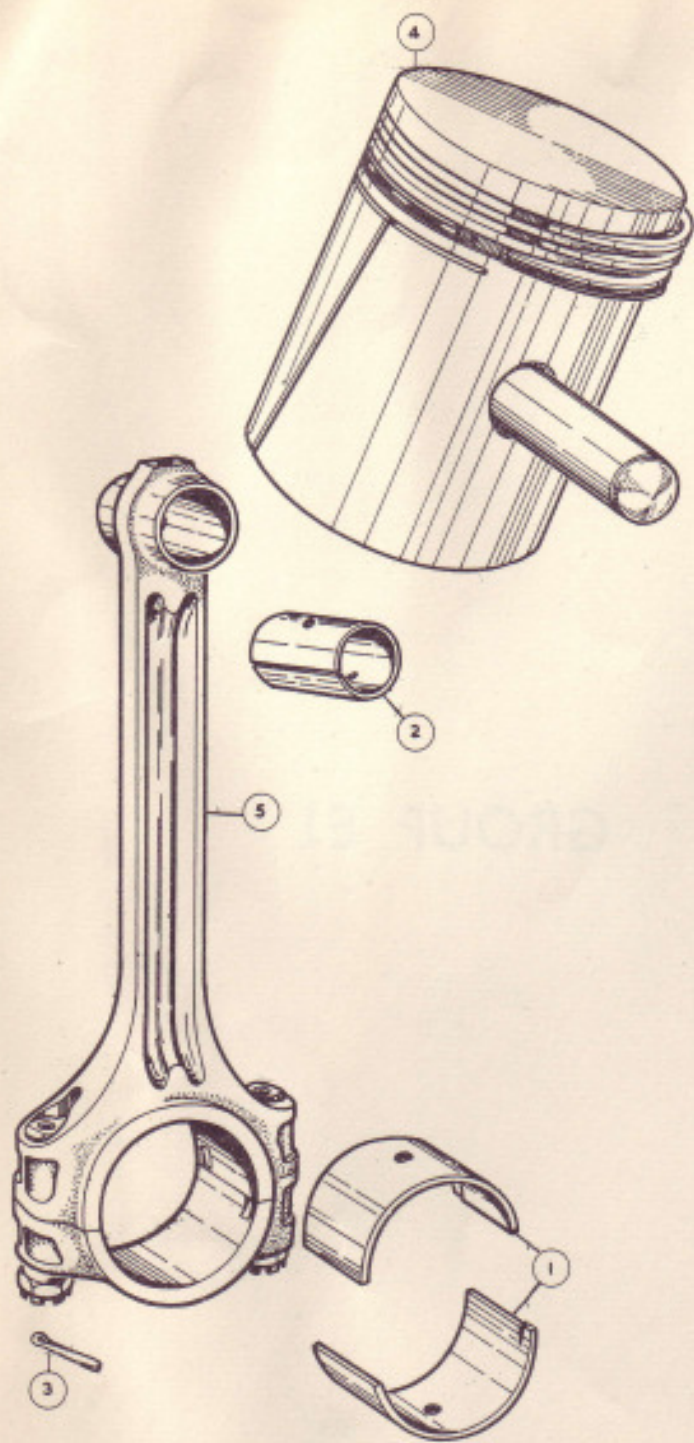
GROUP E.4

	<u>Continental Qty.</u>		<u>Standard Qty.</u>	
ADAPTOR, demister feed pipe	RE.18166	1		
BUSH, pipe,clip,lubrication pipe, rocker oil feed to tachometer	RE.16880	1		
CLIP, lubrication pipe, rocker oil feed to tachometer	RE.16881	1		
HEAD, cylinder	RE.21464	1		*
PLUG, core .875" dia.	RE.9018	6	RE.9018	7
STUD, inlet flanges	KB.354/Z	8	(K.354/Z	4
			(K.355/Z	4
STUD, heater pipe clip	KB.399/Z	1)	KB.399/Z	2
STUD, heater pipe clip	KB.3826/Z	1)		
STUD, thermostat casing	KB.404/Z	1)	KB.404/Z	2
STUD, thermostat casing	KB.405/Z	1)		

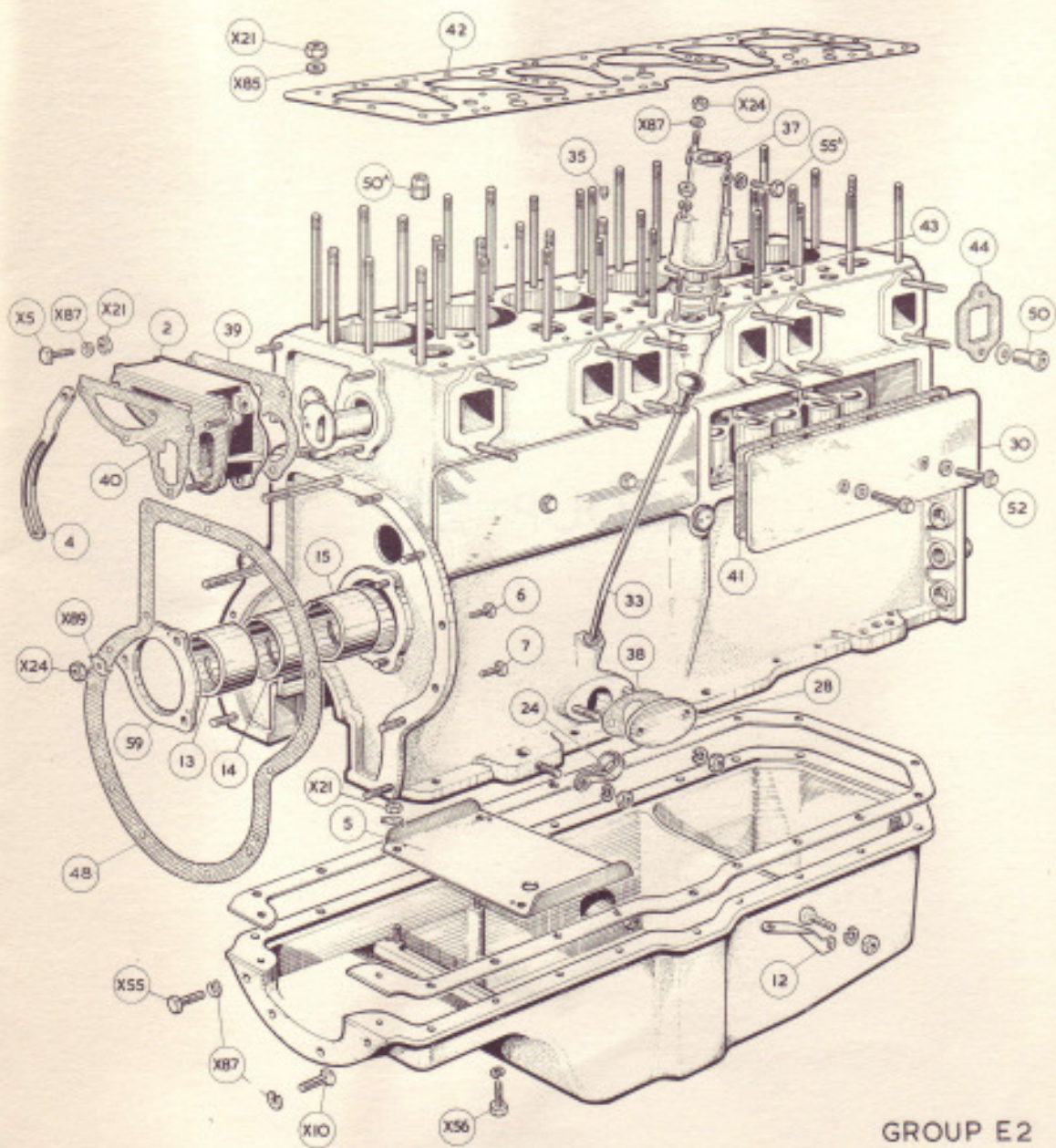
Note: * 'D' Series onwards

GROUP E.8

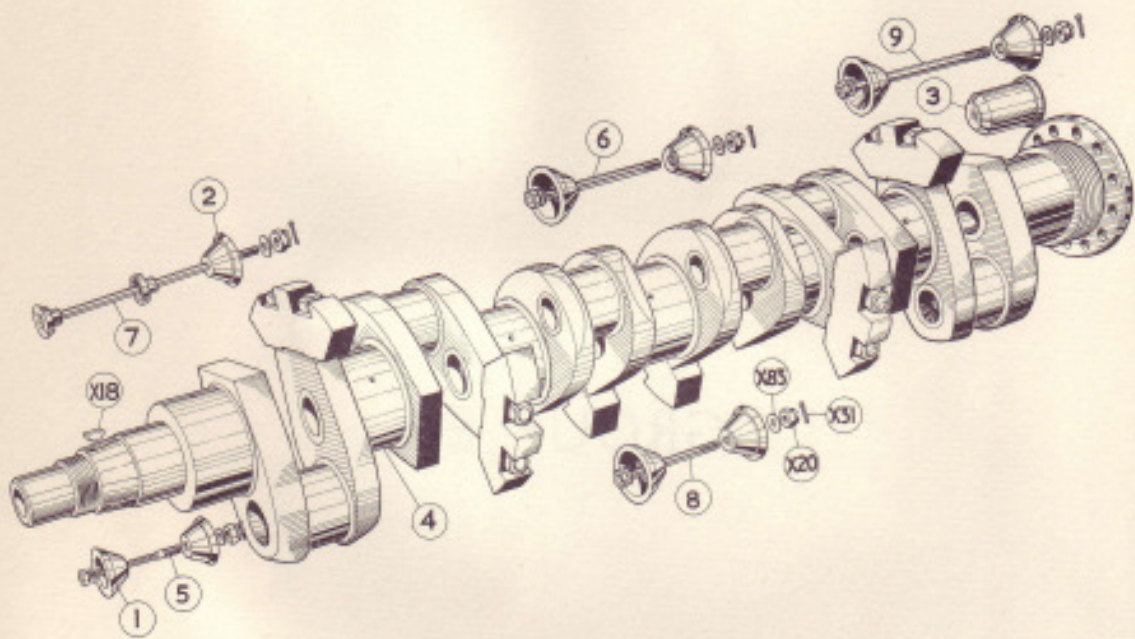
	<u>Continental Qty.</u>		<u>Standard Qty.</u>	
ROD, push inlet valve	RE.21847	6	RE.14036	6
VALVE, exhaust	UE.786	6	RE.3043	6



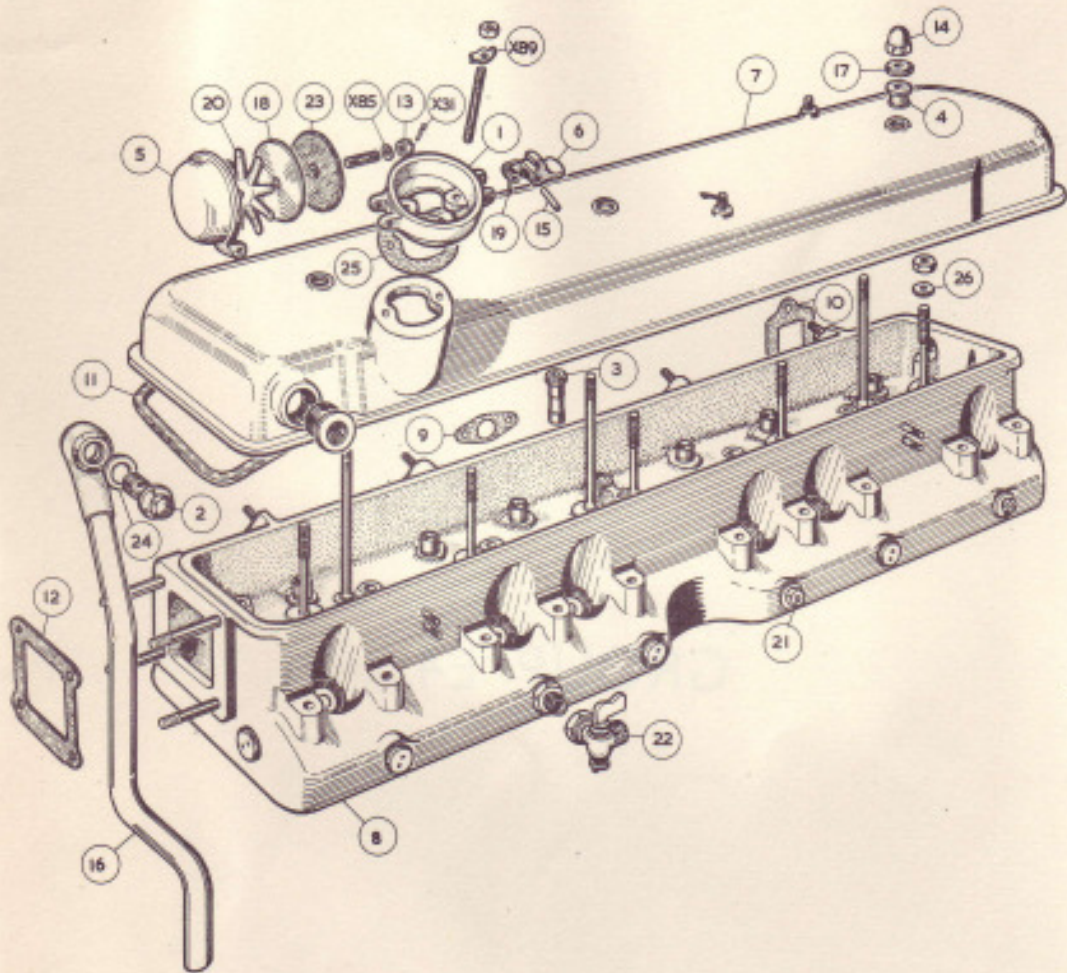
GRUPE I



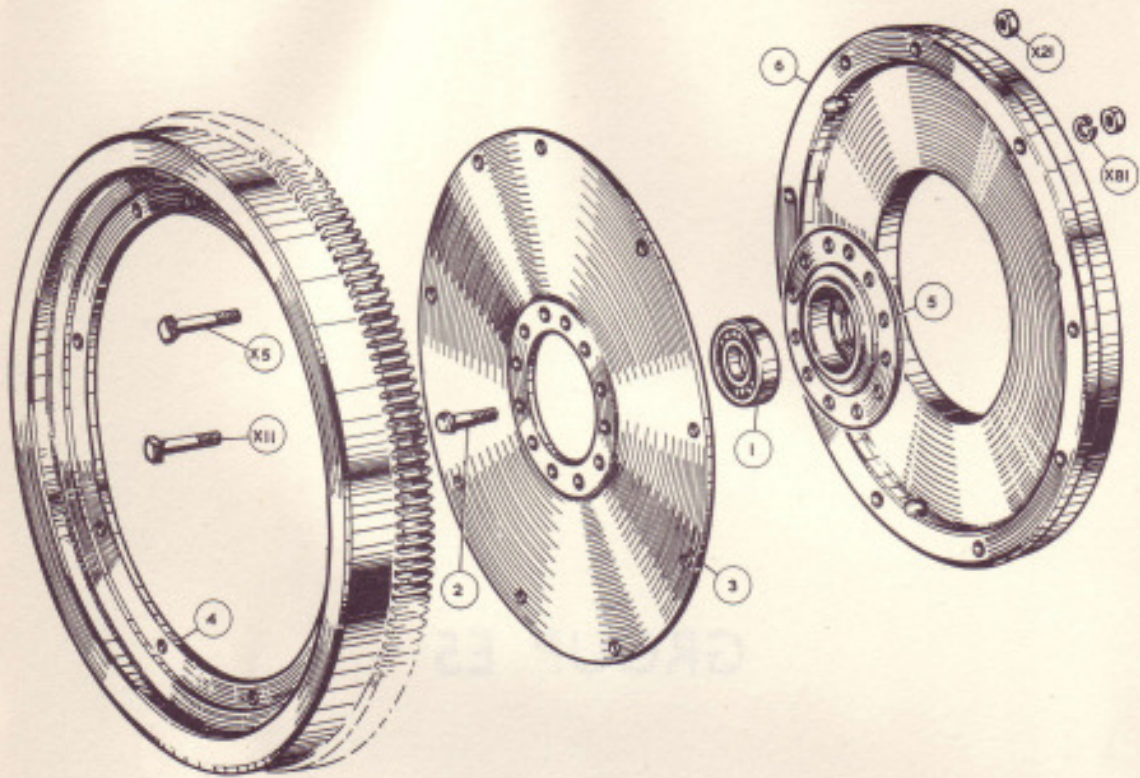
GROUP E2



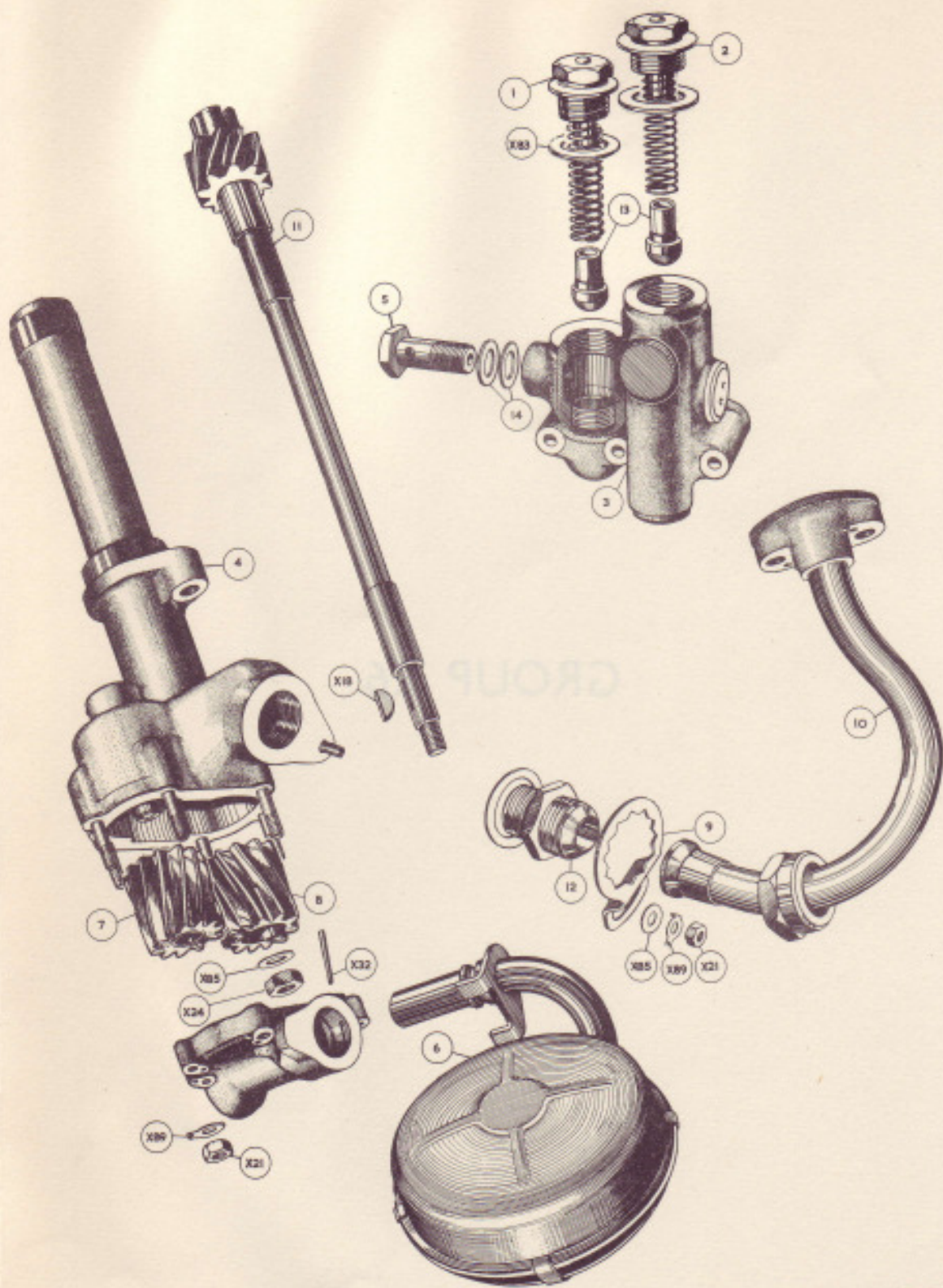
GROUP E3



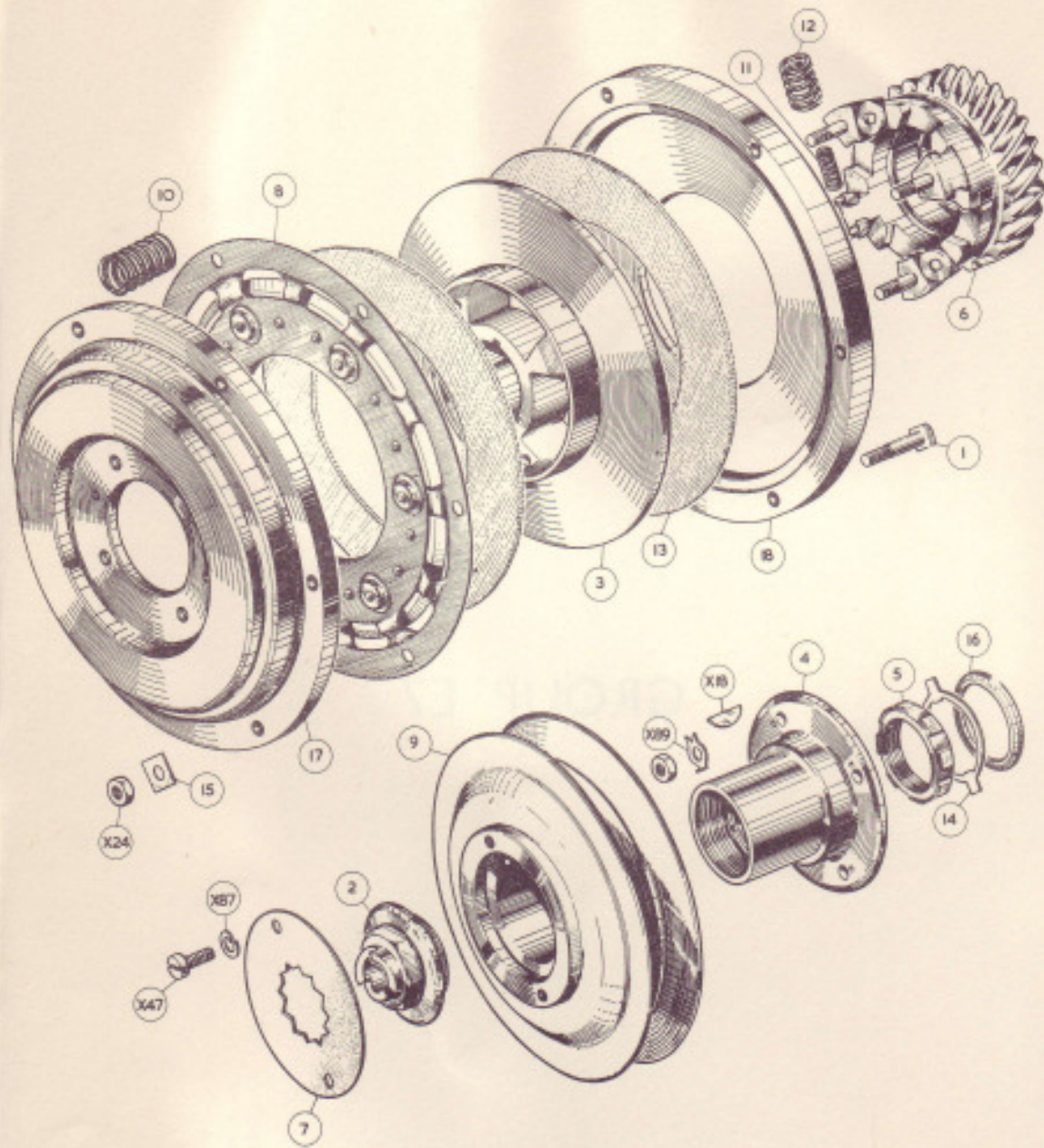
GROUP E4



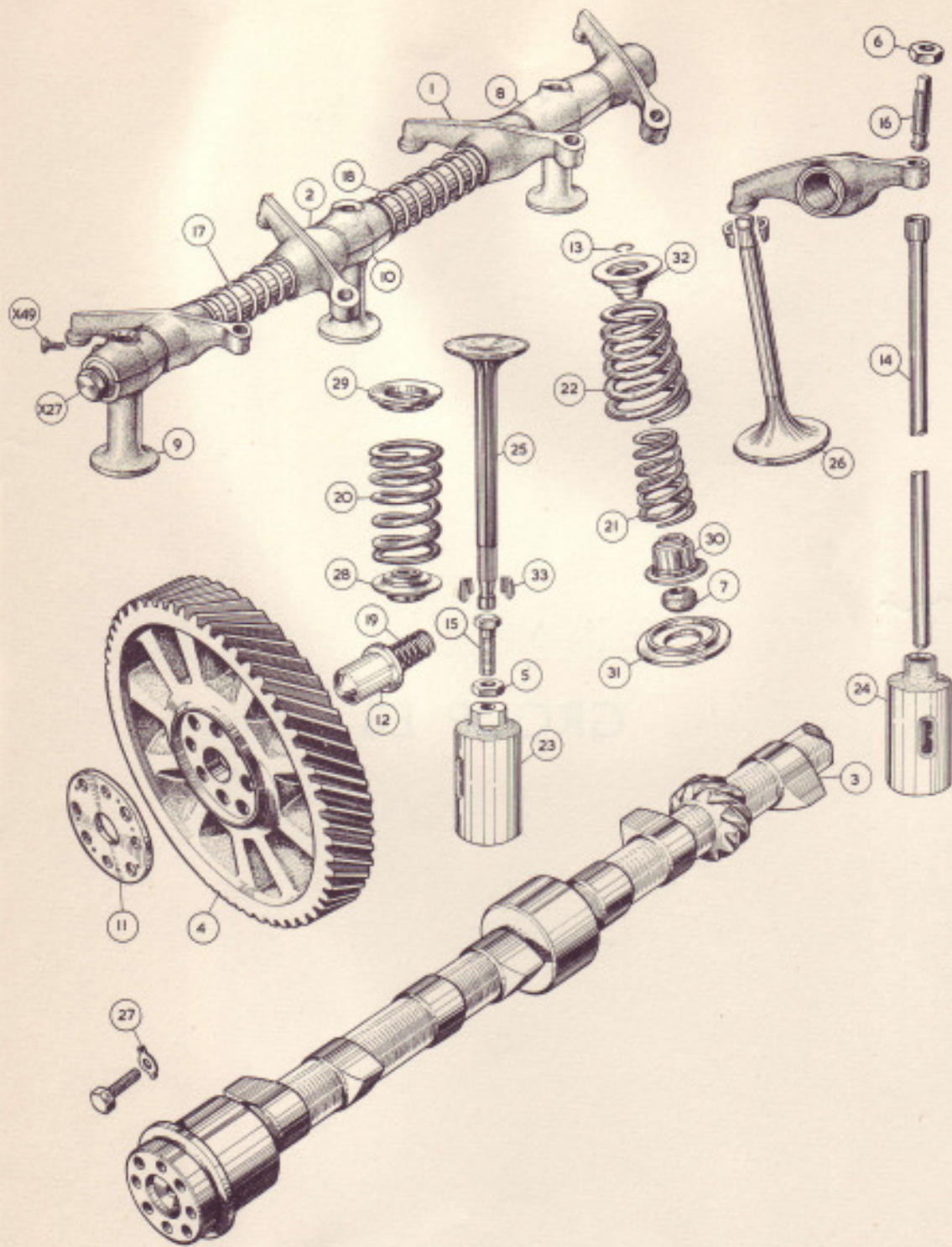
GROUP E5



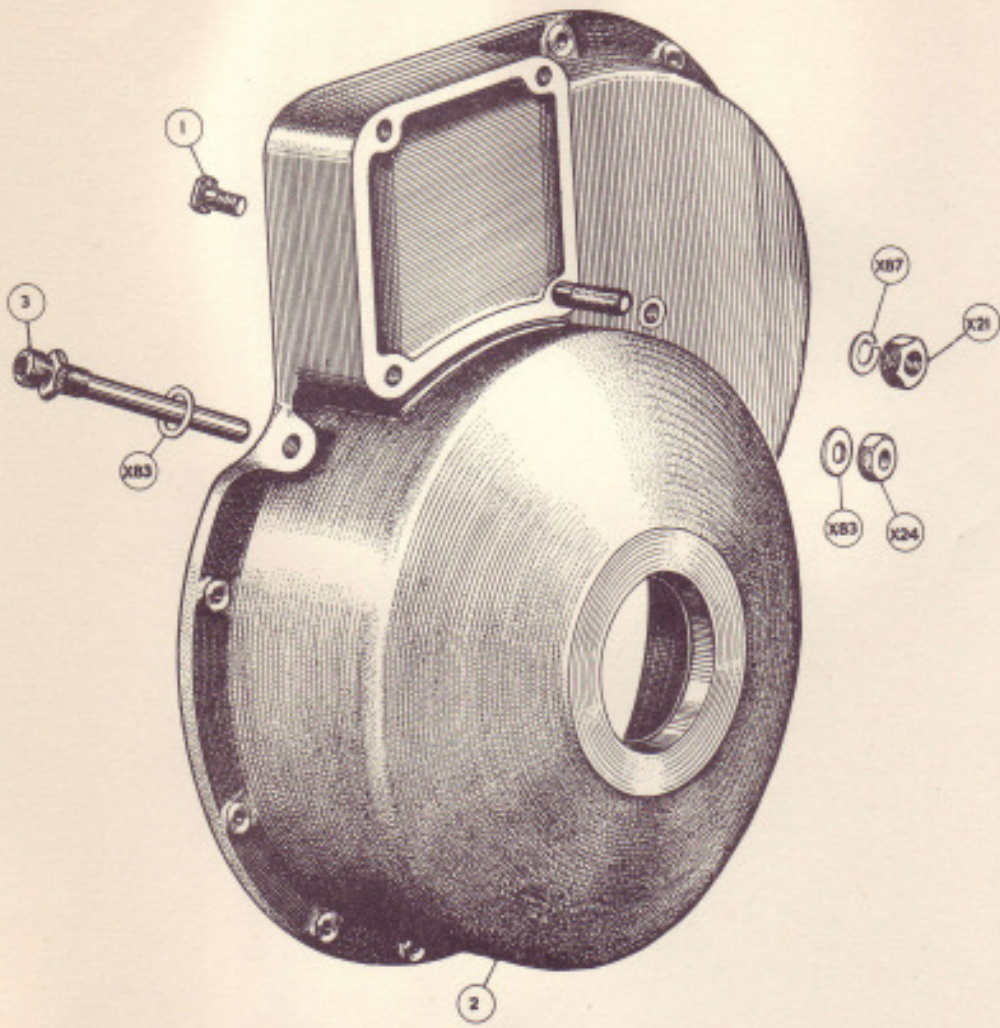
GROUP E 6



GROUPE 7



GROUP E8



GRUPE 9