

No. S2/C7

Circulation - All Distributors
and Retailers

CATEGORY C

AIR CONDITIONING CONTROLS

APPLICABLE TO:

All Rolls-Royce Silver Cloud I and II motor cars and all Bentley SI and SII motor cars.

INTRODUCTION:

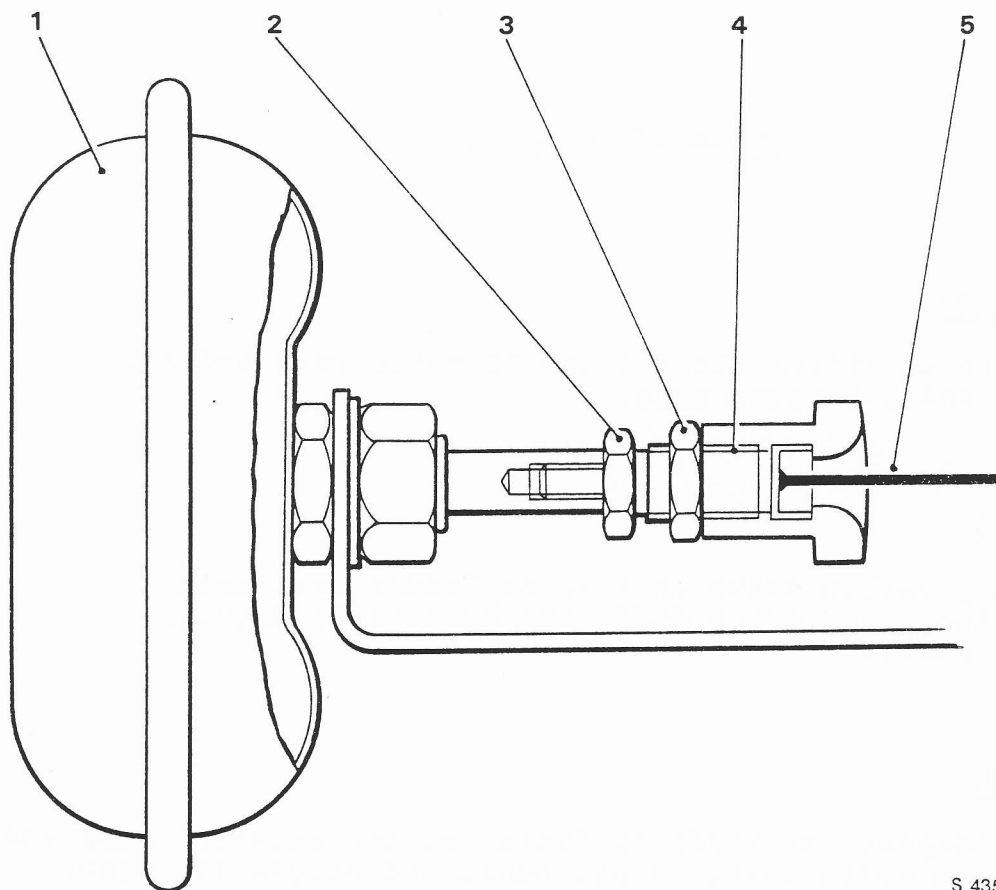
The existing vacuum valve unit is no longer available. Future replacements are a different type which require additional parts.

DESCRIPTION:

A screwed adapter (RH 9098) is fitted to the existing push rod on the vacuum valve unit. A new cable and nipple (RH 9100) is fitted, this being attached by means of a retainer (RH 9099) and retaining lock-nut (RE 22430). These are screwed and locked to the adapter (refer, Fig. 1).

Continued...

- 2 -



S 435

Figure 1 - Vacuum valve assembly

1. RH 9103 - Assy - Vacuum Valve Unit
2. RH 9098 - Screwed Adapter
3. RE 22430 - Nut - Lock
4. RH 9099 - Retainer - Cable
5. RH 9100 - Assy - Cable and Nipple