

TWO-DOOR MOTOR CARS 1980-1989

Engine Cooling System Menu

- L1 Engine cooling system radiator matrix and expansion tank
- L2 Coolant pump, pulley and fan
- L3 Coolant pipes, hoses and connections
- L4 Thermostat and fittings
- L5 Electric fan and mounting bracket
 - Bosch electric fan and mounting
 - Electric fan (ARA)
 - Bosch cooling fan and mounting brackets (fuel injection cars)

L1·001·00

Rolls-Royce
Corniche

Bentley
Continental

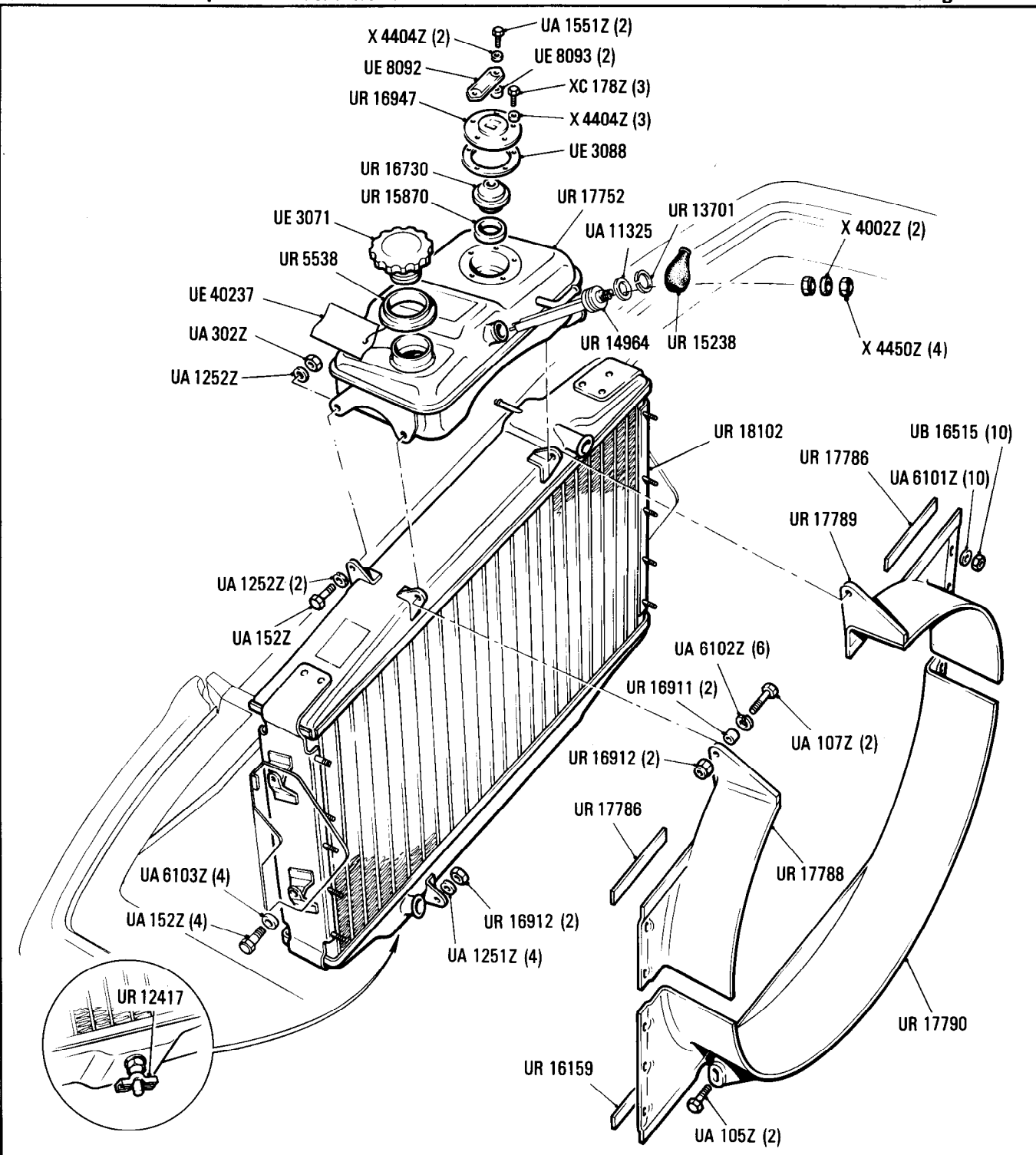
Engine Cooling System Radiator Matrix & Expansion Tank

Car serial number

SCAZD0000BCH05037 to 10119 Except
10081, 10101 to 10104 10112 to
10115 inclusive

Parts marked thus * refer to Additional Information below

◀ Left-hand ▶ Right-hand



Additional Information

© Rolls-Royce Motor Cars Limited 1987

L1·002·00

Rolls-Royce
Corniche

Bentley
Continental

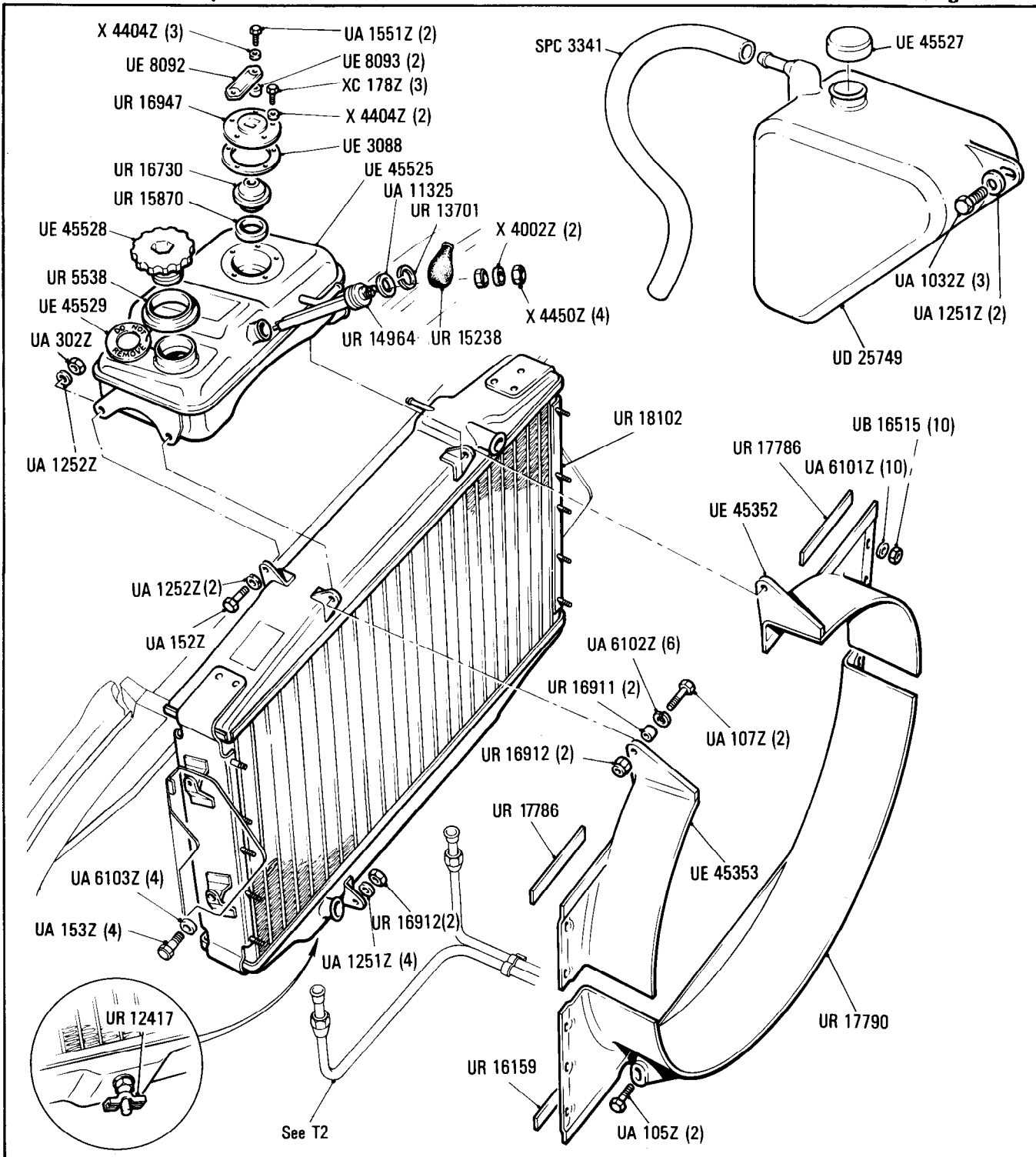
Engine Cooling System Radiator Matrix and Expansion Tank

Car serial number

SCAZD42A3FCX10081, 10101 to 10104
10112 to 10115, 10120 to 16968

Parts marked thus * refer to Additional Information below

◀ Left-hand ▶ Right-hand



Additional Information

© Rolls-Royce Motor Cars Limited 1987

L1·003·02

Rolls-Royce
Corniche

Bentley
Continental

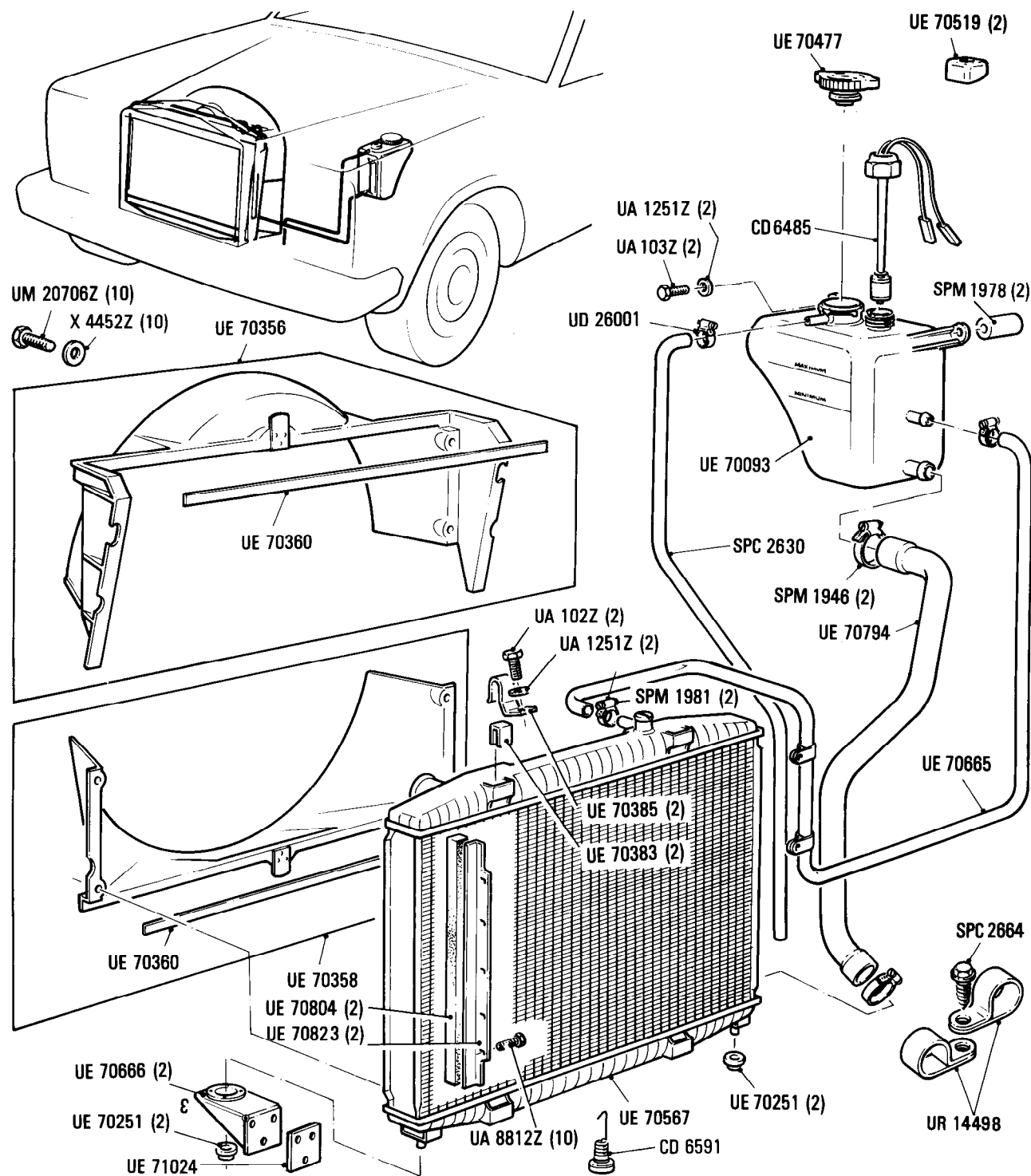
Engine Cooling System Radiator Matrix & Expansion Bottle

Car serial number

SCAZD0000HCX20010 to 24635

Parts marked thus * refer to Additional Information below

◀ Left-hand ▶ Right-hand



Additional Information

© Rolls-Royce Motor Cars Limited 1987

L1-004-01

Rolls-Royce
Corniche

Bentley
Continental

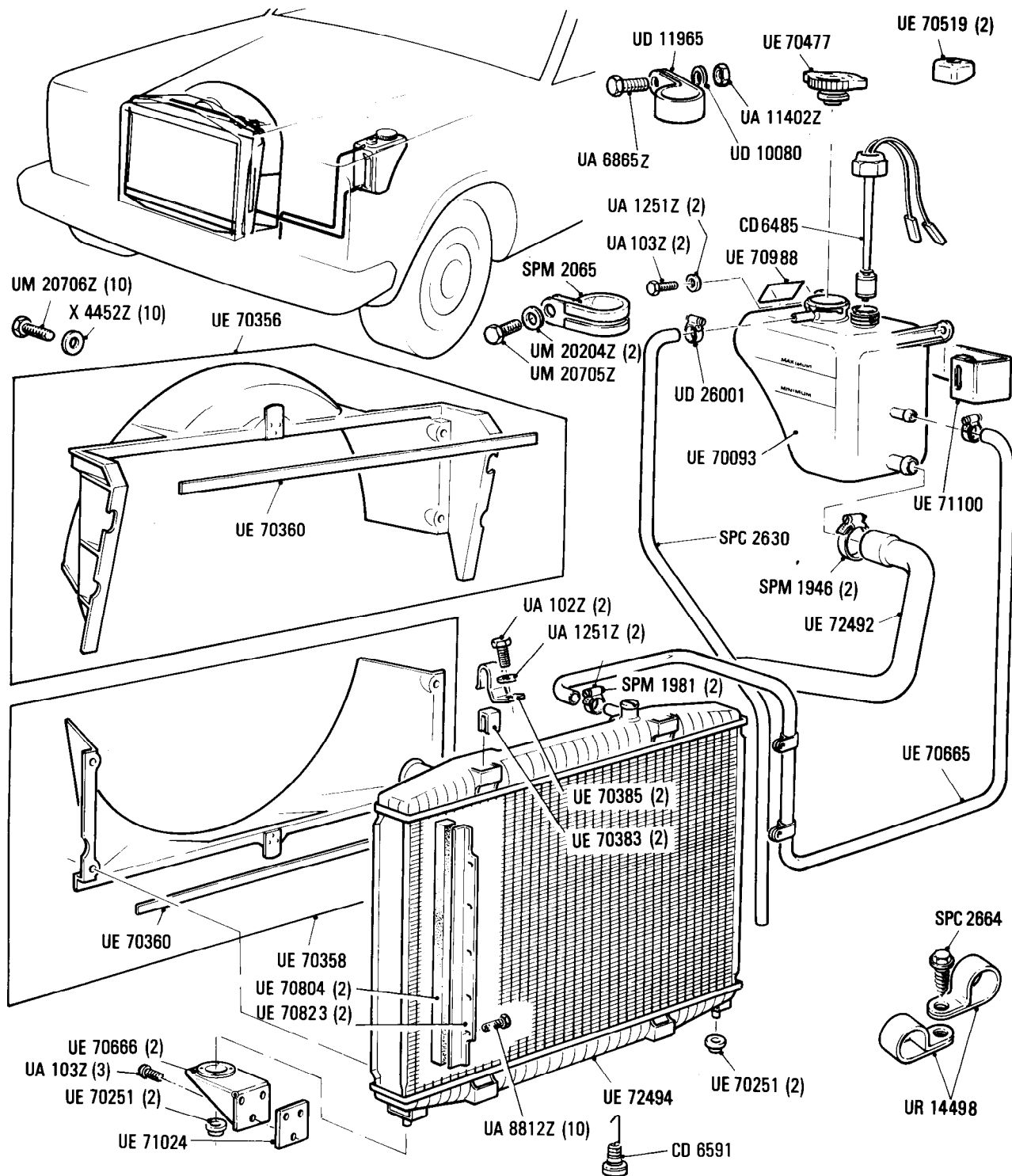
Cooling System Radiator Matrix & Expansion Bottle

Car serial number

SCAZD00A7KCH23246, 24638 to 29290

Parts marked thus * refer to Additional Information below

◀ Left-hand ▶ Right-hand



Additional Information

© Rolls-Royce Motor Cars Limited 1987

L2·001·00

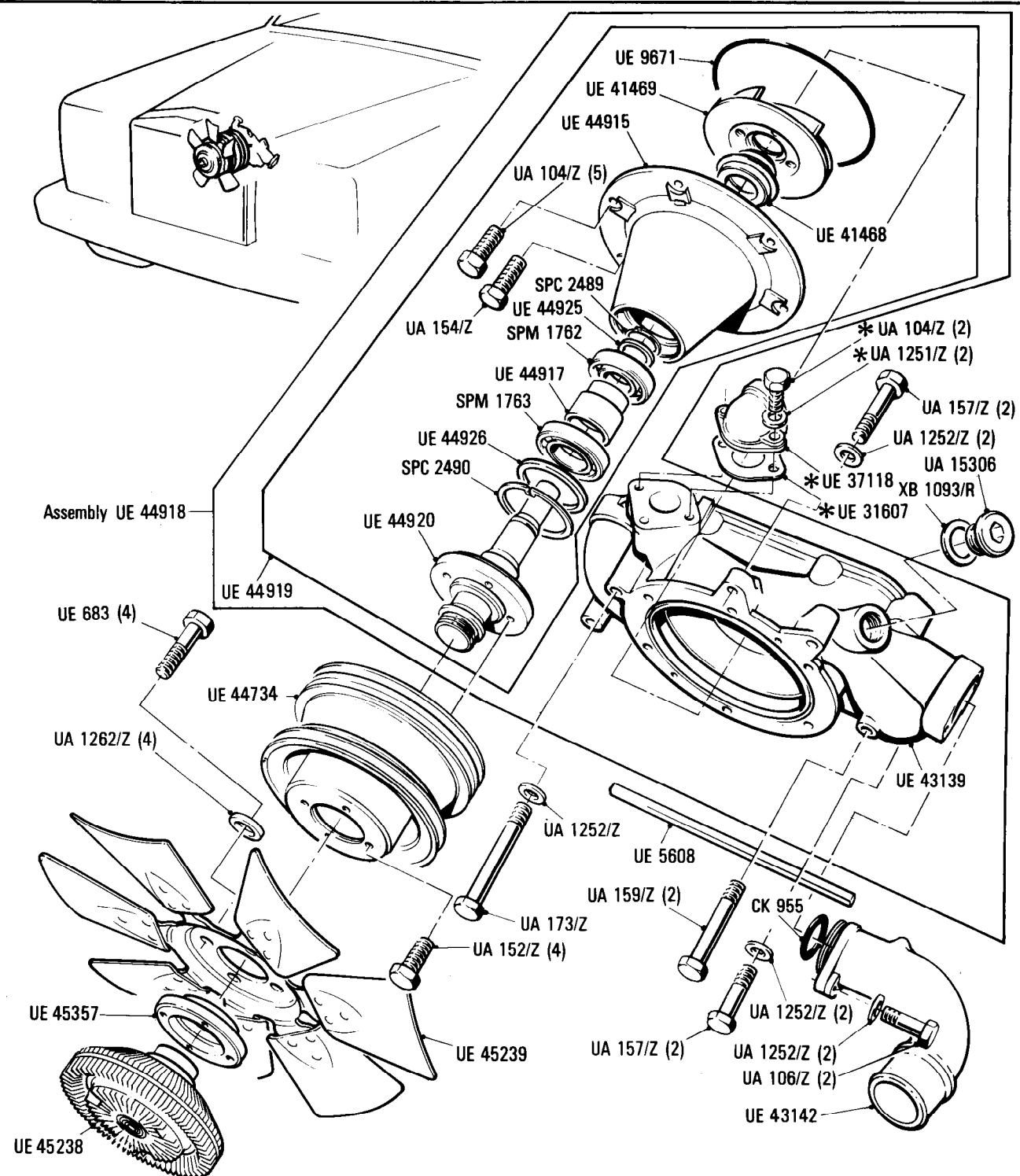
Rolls-Royce
CornicheBentley
Continental**Engine Cooling System**
Coolant Pump, Pulley & Fan

Parts marked thus * refer to Additional Information below

◀ Left-hand ▶ Right-hand

Car serial number

SCAZD0006CCH05037 to 16968

**Additional Information**

© Rolls-Royce Motor Cars Limited 1987

- * UE 37118
 UA 104Z (2) } Required on cars for Australia
 UA 1251Z (2)
- * UE 31607 Required on cars for Australia
 UE 39200 Required on cars for countries other than Australia
- * UA 104Z (1) } Required on cars for countries other than Australia
 UA 106Z (2)

L2-002-01

Rolls-Royce
Corniche

Bentley
Continental

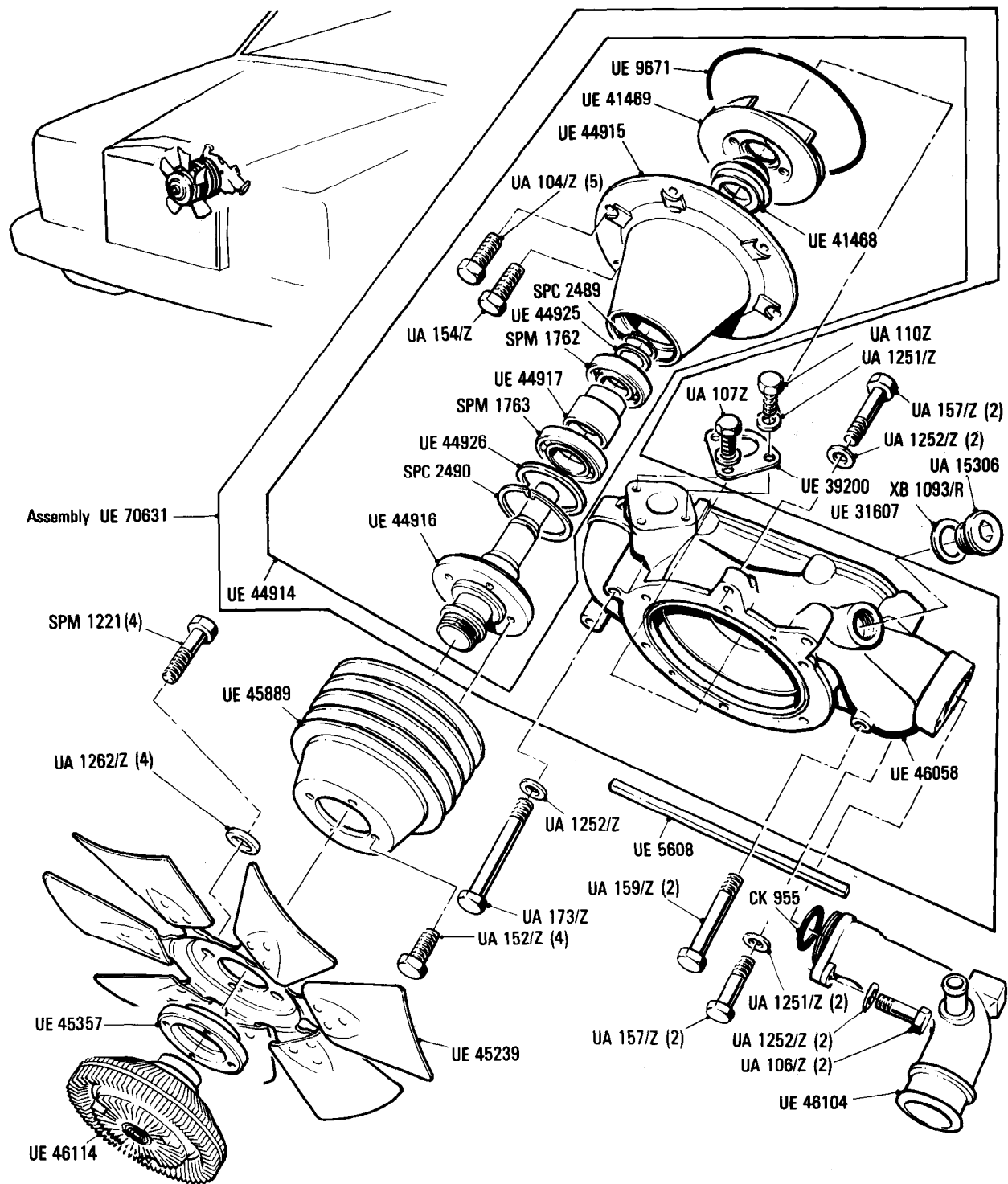
Cooling System Coolant Pump, Pulley & Fan

Car serial number

SCAZD0000HCX20010 to 24637 except 23246

Parts marked thus * refer to Additional Information below

◀ Left-hand ▶ Right-hand



Additional Information

© Rolls-Royce Motor Cars Limited 1987

L2·003·01

Rolls-Royce
Corniche

Bentley
Continental

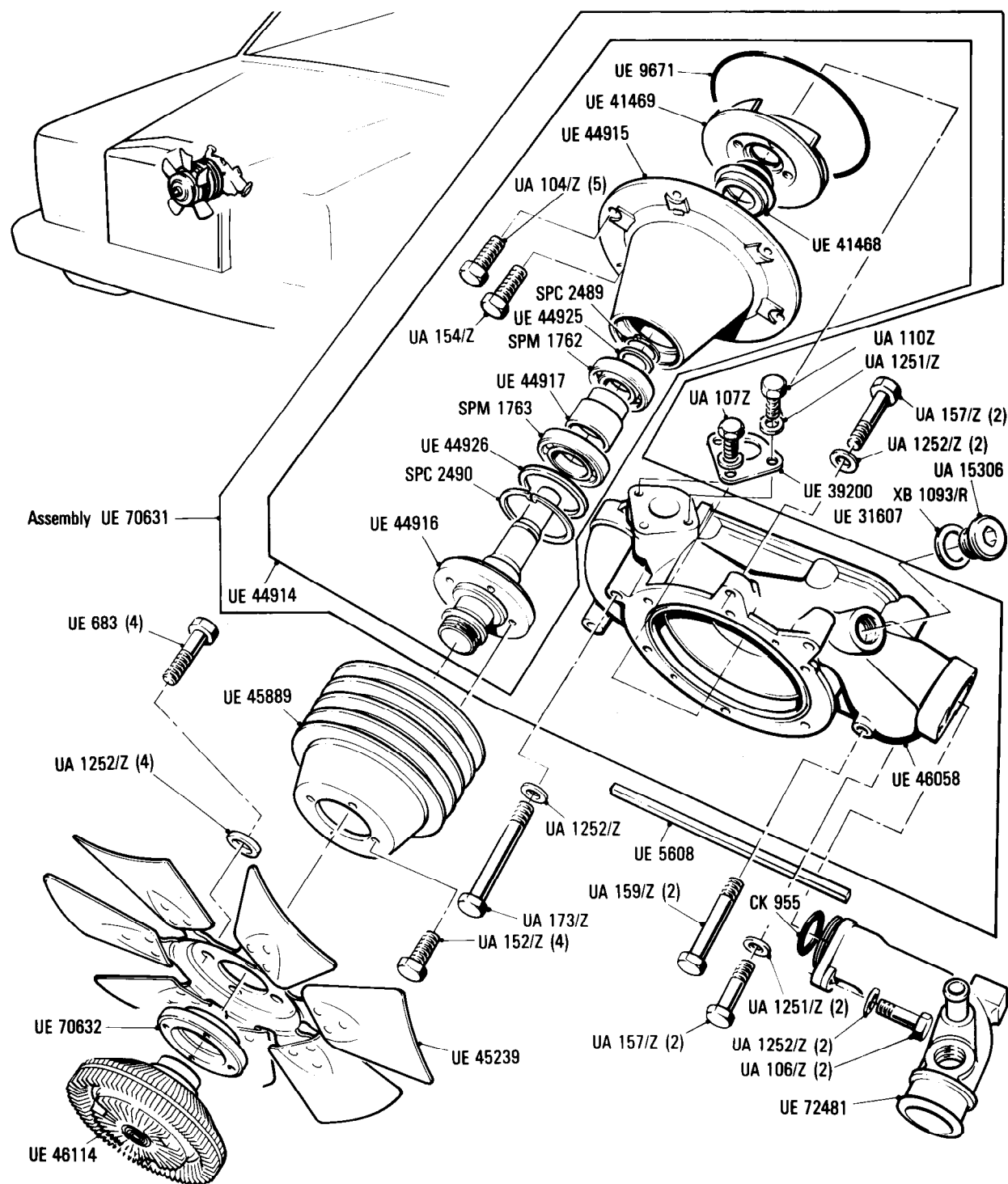
Cooling System Coolant Pump Pulley & Fan

Car serial number

SCAZD00A7KCH23246, 24638 to 29290

Parts marked thus * refer to Additional Information below

◀ Left-hand ▶ Right-hand



Additional Information

© Rolls-Royce Motor Cars Limited 1987

L3·001·01

Rolls-Royce
Corniche

Bentley
Continental

Engine Cooling System

Coolant Pipes, Hoses and Connections

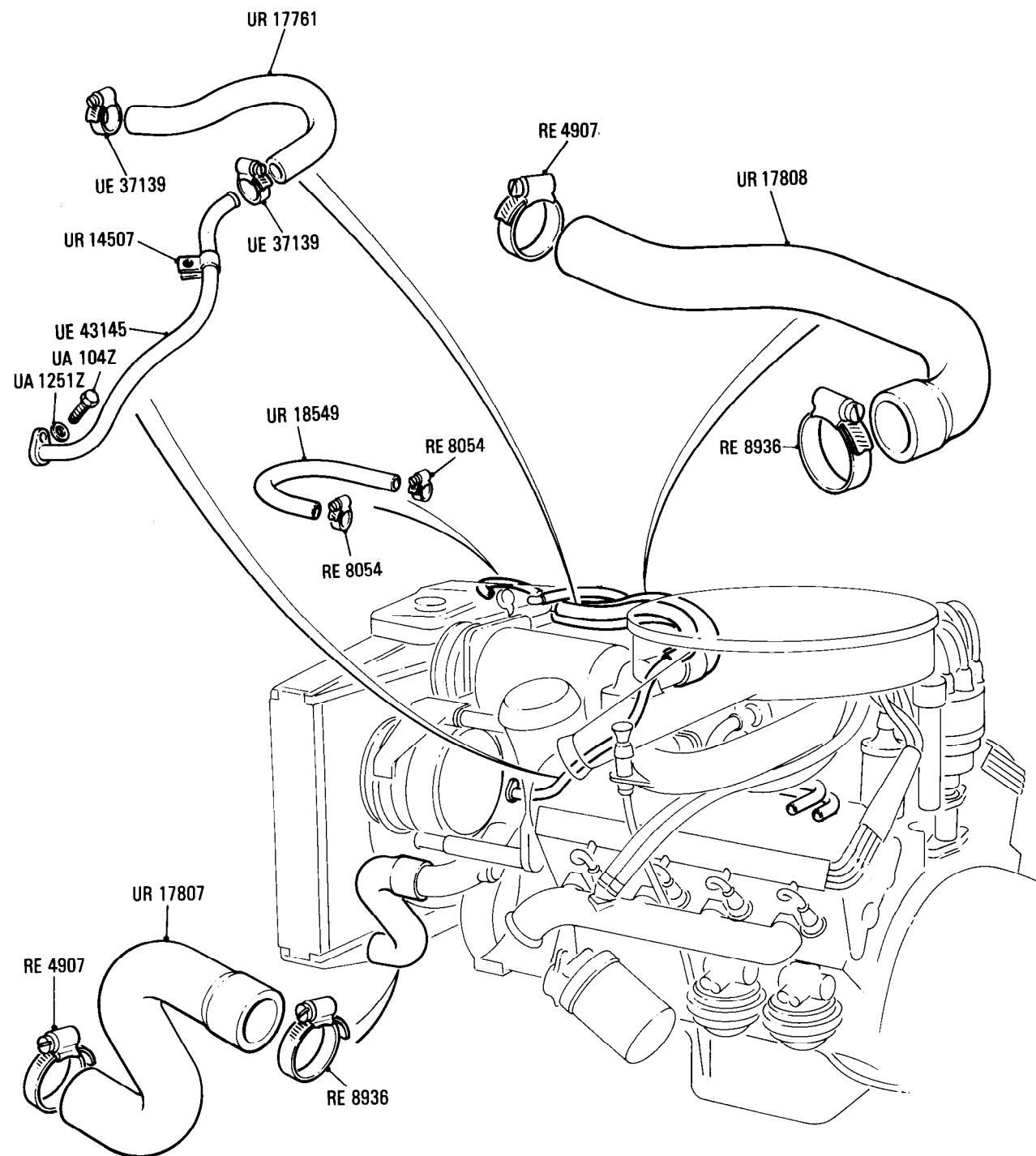
Cars for Countries other than N. America, Australia & Japan

Car serial number

SCAZD0000BCH05037 to 16968

Parts marked thus * refer to Additional Information below

◁ Left-hand ▷ Right-hand



Additional Information

© Rolls-Royce Motor Cars Limited 1987

L3·002·02

Rolls-Royce
Corniche

Bentley
Continental

Engine Cooling System

Coolant Pipes, Hoses & Connections

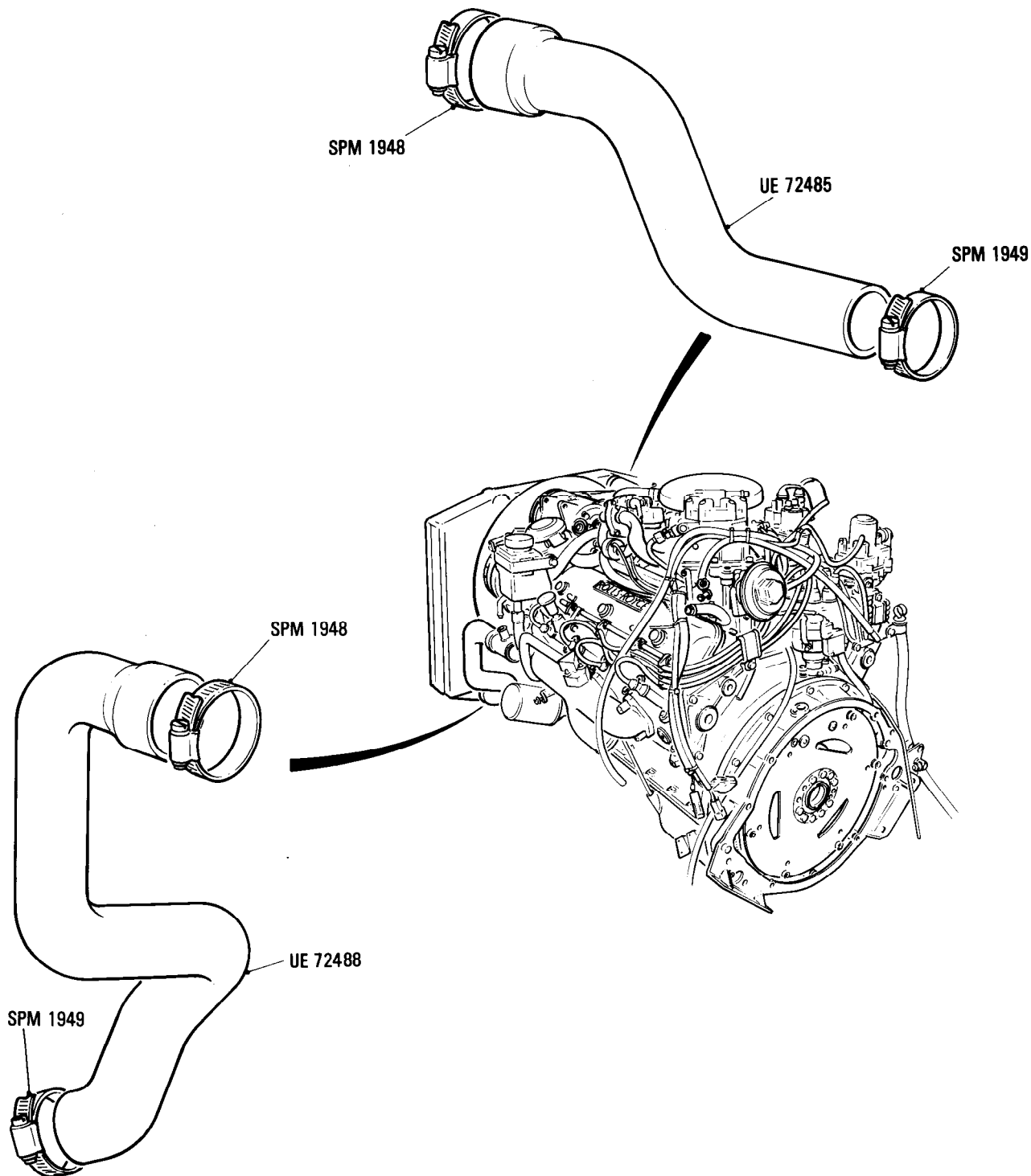
Cars for countries other than N. America, Japan, Switzerland & Austria

Parts marked thus * refer to Additional Information below

◁ Left-hand ▷ Right-hand

Car serial number

SCAZD0000HCX20010 to 24637



Additional Information

© Rolls-Royce Motor Cars Limited 1987

L3·003·01

Rolls-Royce
Corniche

Bentley
Continental

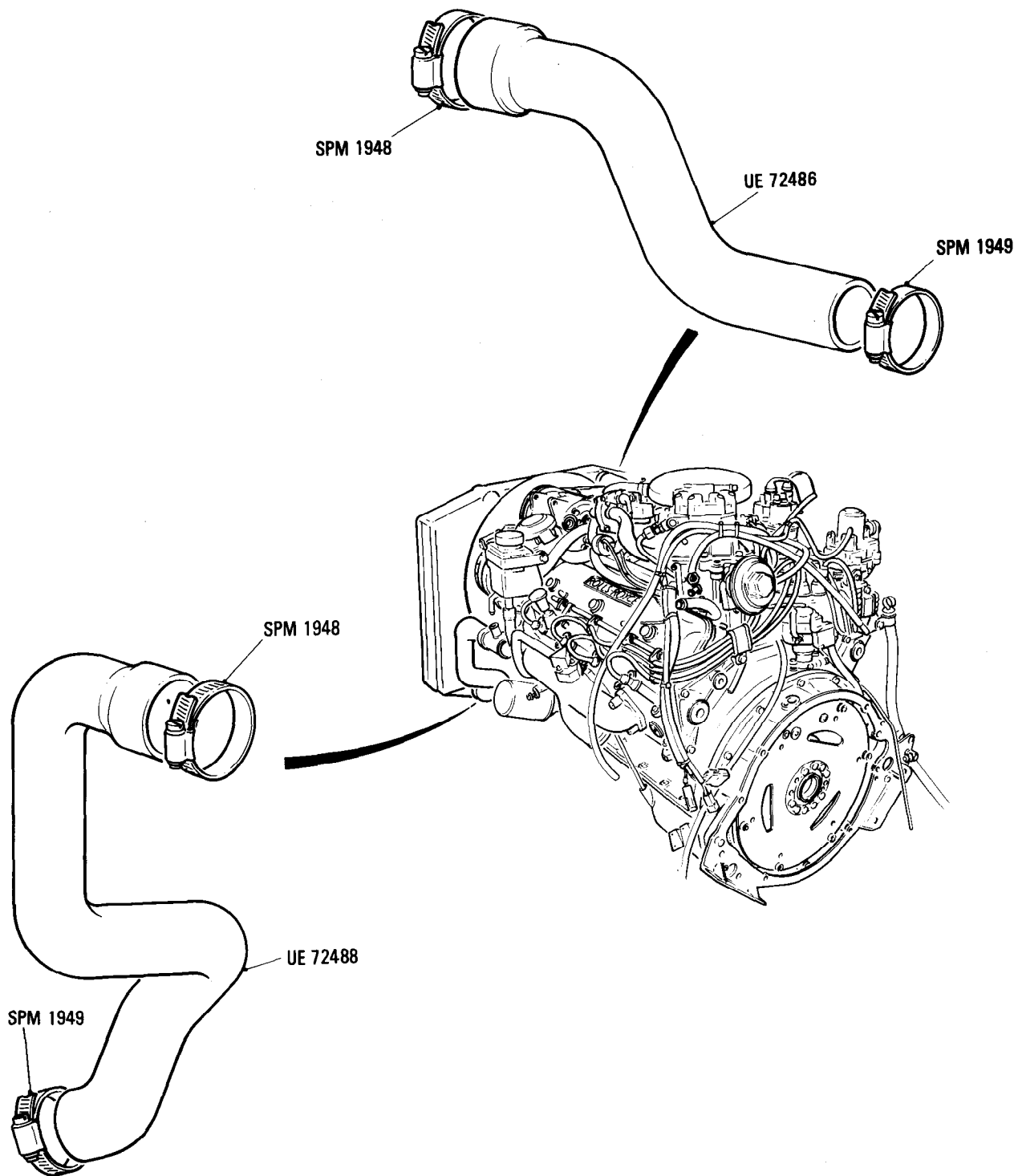
Engine Cooling System Coolant Pipes, Hoses, & Connections

Car serial number

SCAZD00A7KCH23246, 23247,
24770 to 29290

Parts marked thus * refer to Additional Information below

◀ Left-hand ▶ Right-hand



Additional Information

© Rolls-Royce Motor Cars Limited 1987

L3·020·00

Rolls-Royce
Corniche

Bentley
Continental

Engine Cooling System

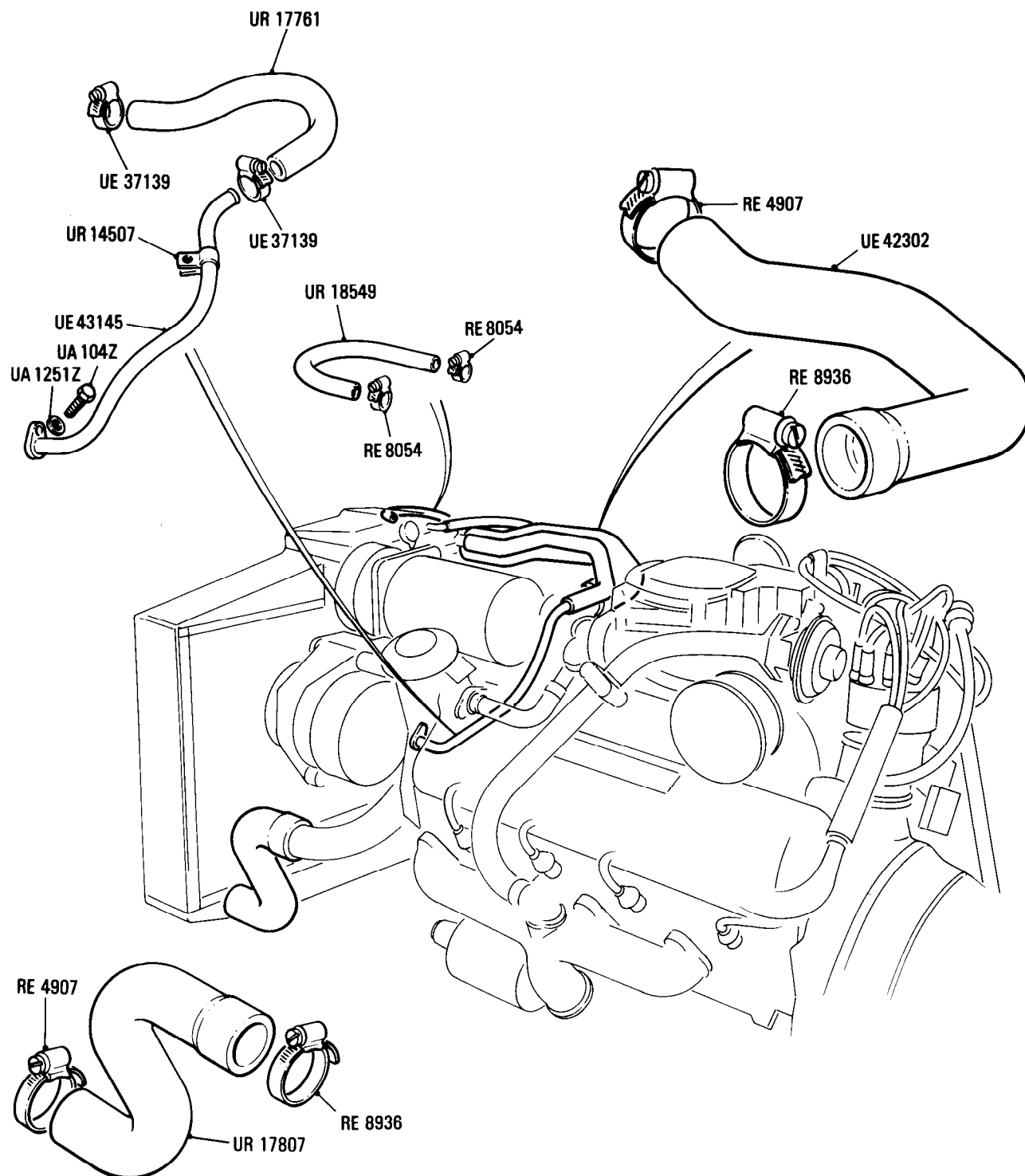
Coolant Pipes Hoses and Connections
Cars for N. America & Japan

Car serial number

SCAZD42A0BCX05038 to 16968

Parts marked thus * refer to Additional Information below

◀ Left-hand ▶ Right-hand



Additional Information

© Rolls-Royce Motor Cars Limited 1987

L3·021·03

Rolls-Royce
Corniche

Bentley
Continental

Engine Cooling System

Coolant Pipes Hoses & Connections

Cars for N. America, Japan, Switzerland & Austria

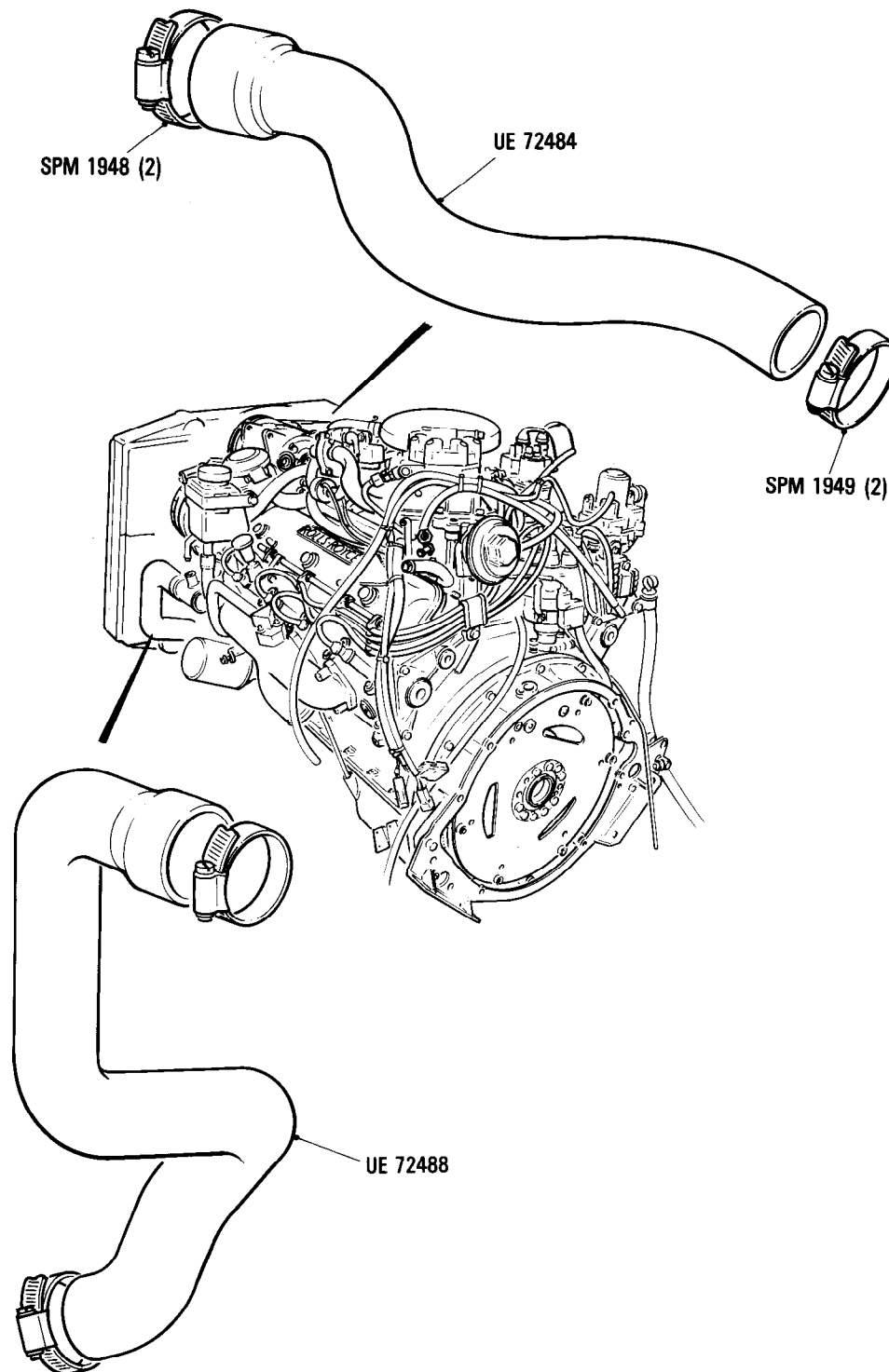
Car serial number

Cars for N. America & Japan
SCAZD42A6HCX20001, 20238 to 29290

Cars for Switzerland & Austria
SCAZD00A1JCX21732 to 29290

Parts marked thus * refer to Additional Information below

◁ Left-hand ▷ Right-hand



Additional Information

© Rolls-Royce Motor Cars Limited 1987

L4-001-00

Rolls-Royce
Corniche

Bentley
Continental

Engine Cooling System

Thermostat & Fittings

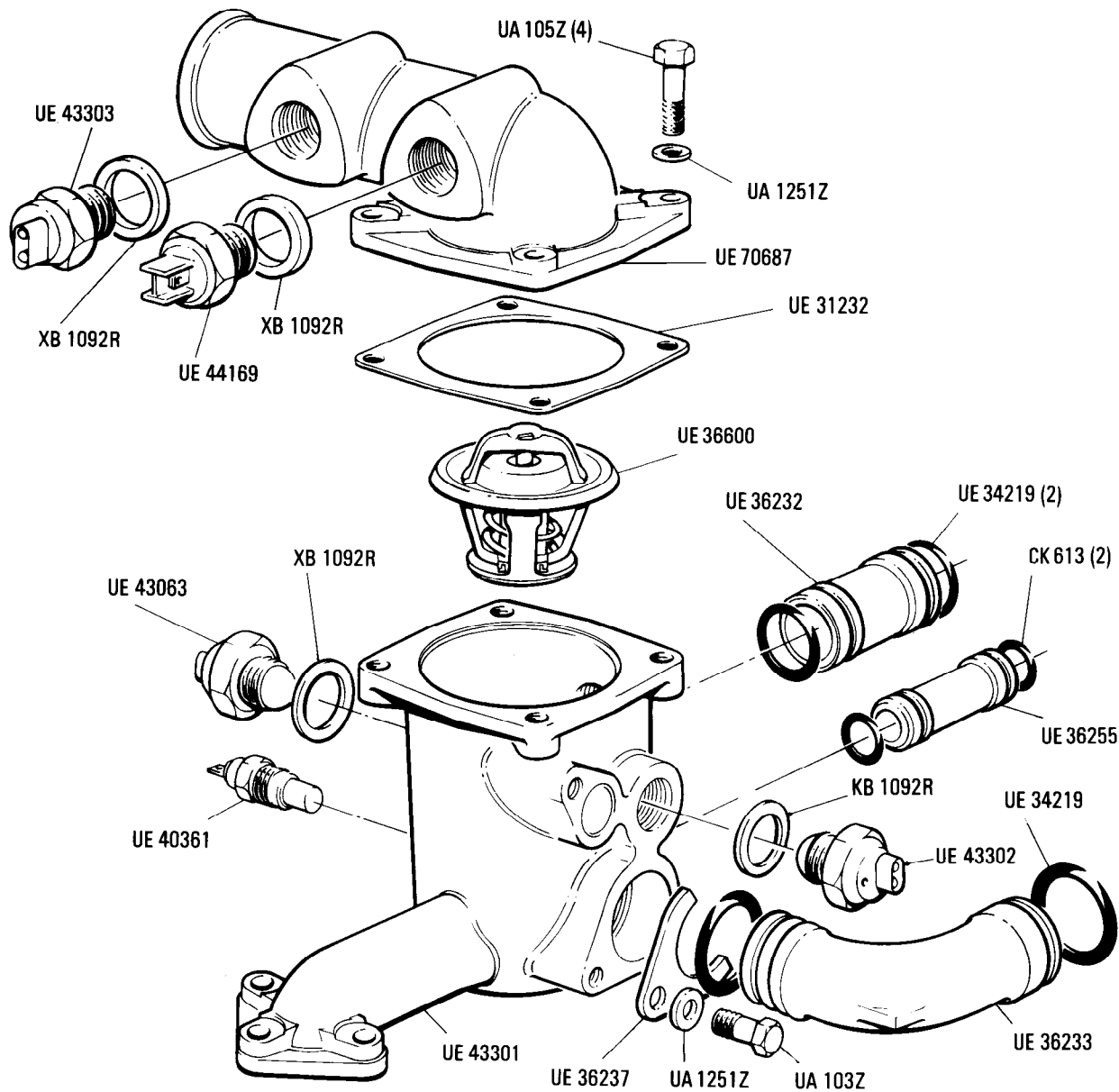
Cars for countries other than N. America, Japan & Australia

Parts marked thus * refer to Additional Information below

◁ Left-hand ▷ Right-hand

Car serial number

SCAZD0006CCH05037 to 16968



Additional Information

© Rolls-Royce Motor Cars Limited 1987

L4 002 01

Rolls-Royce
Corniche

Bentley
Continental

Cooling System Thermostat & Fittings

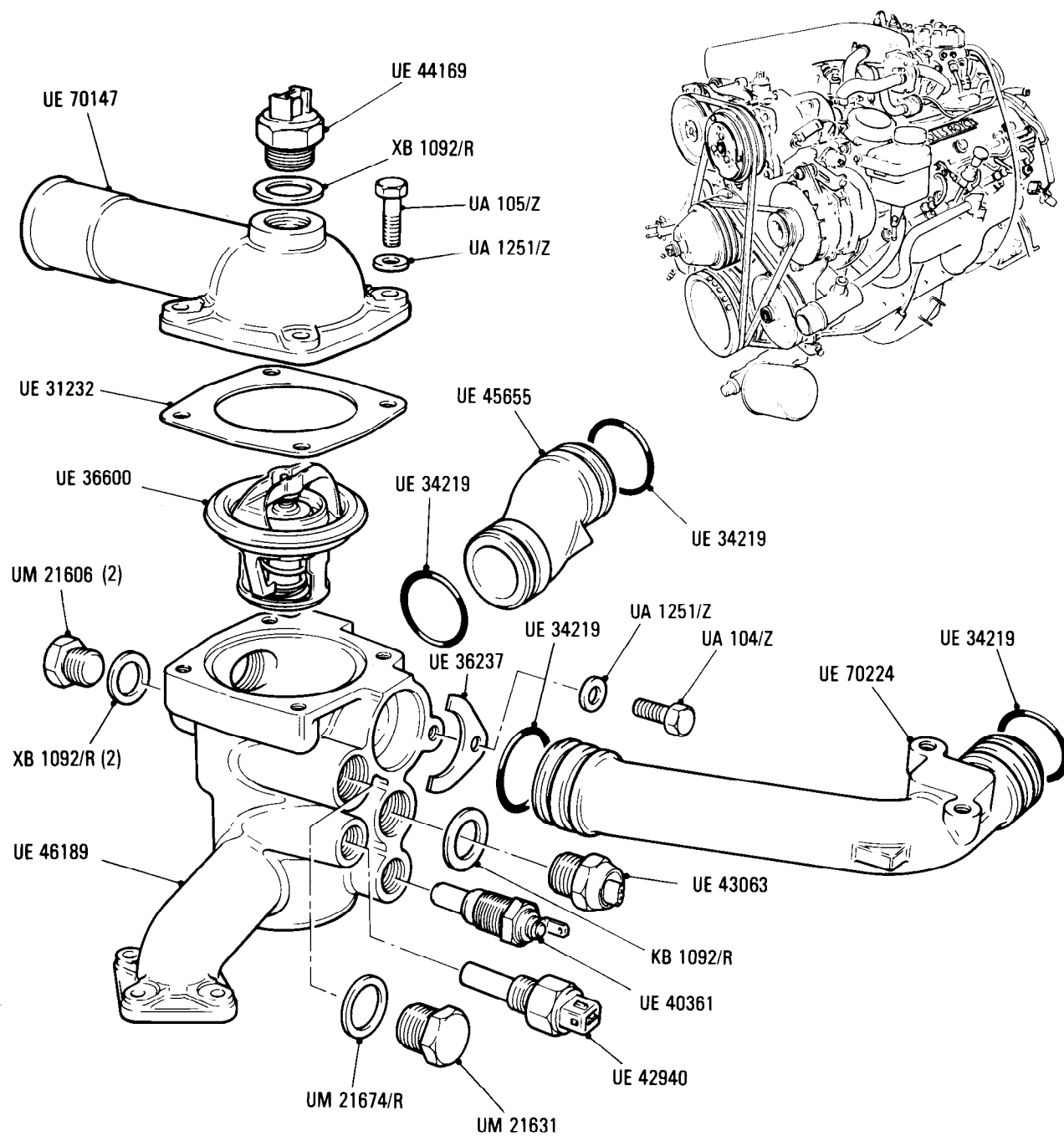
Cars for countries other than N. America Japan & Middle East

Car serial number

SCAZD0000HCX20010 to 24637

Parts marked thus * refer to Additional Information below

◀ Left-hand ▶ Right-hand



Additional Information

© Rolls-Royce Motor Cars Limited 1987

L4·003·01

Rolls-Royce
Corniche

Bentley
Continental

Car serial number

SCAZD00A7KCH23246, 23247
24770 to 29290

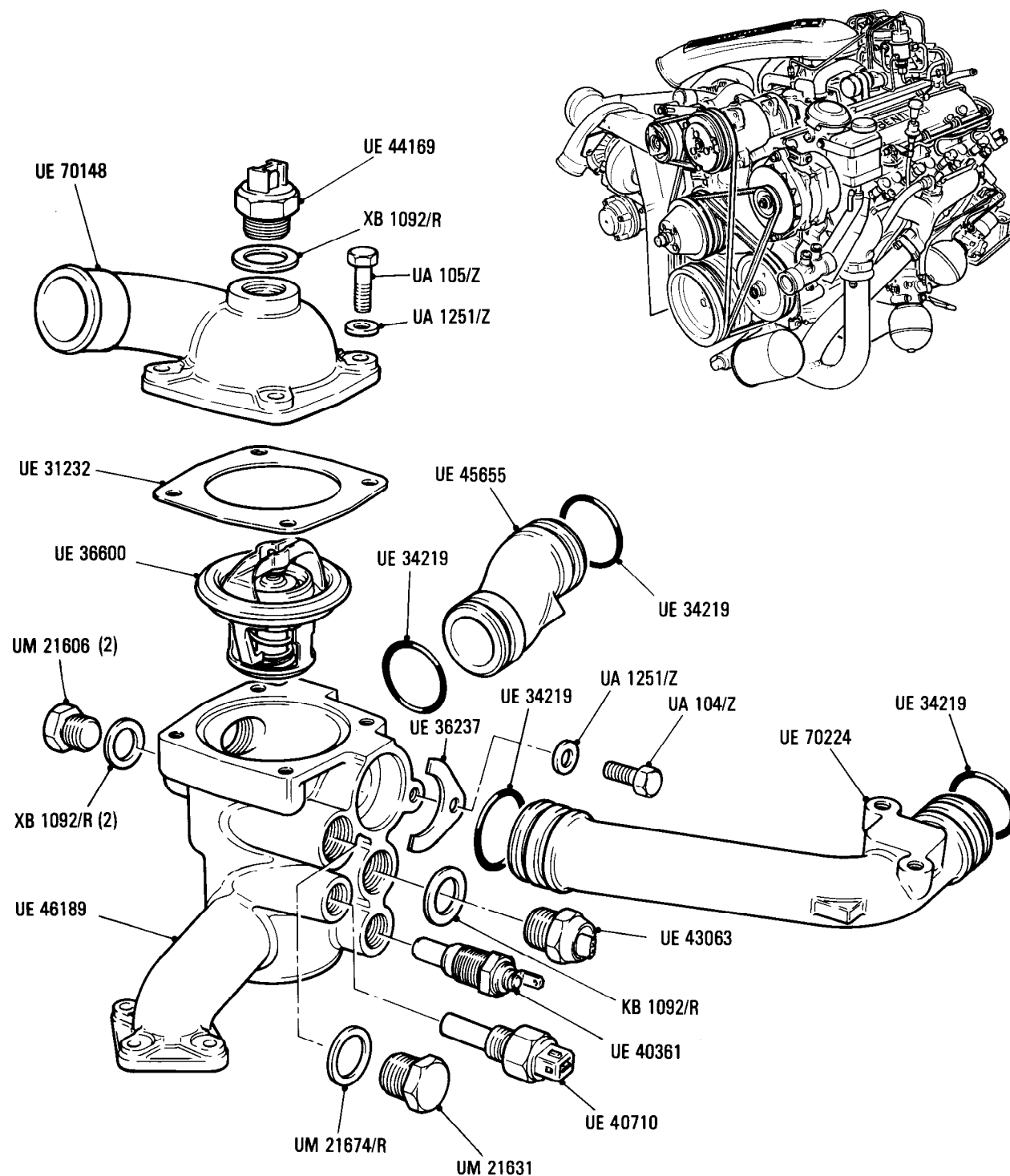
Cooling System

Thermostat Housing, Thermostat & Fittings

Cars for countries other than N. America, Japan, Australia, Switzerland, Austria & Sweden

Parts marked thus * refer to Additional Information below

◀ Left-hand ▶ Right-hand



Additional Information

© Rolls-Royce Motor Cars Limited 1987

L4-020-00

Rolls-Royce
Corniche

Bentley
Continental

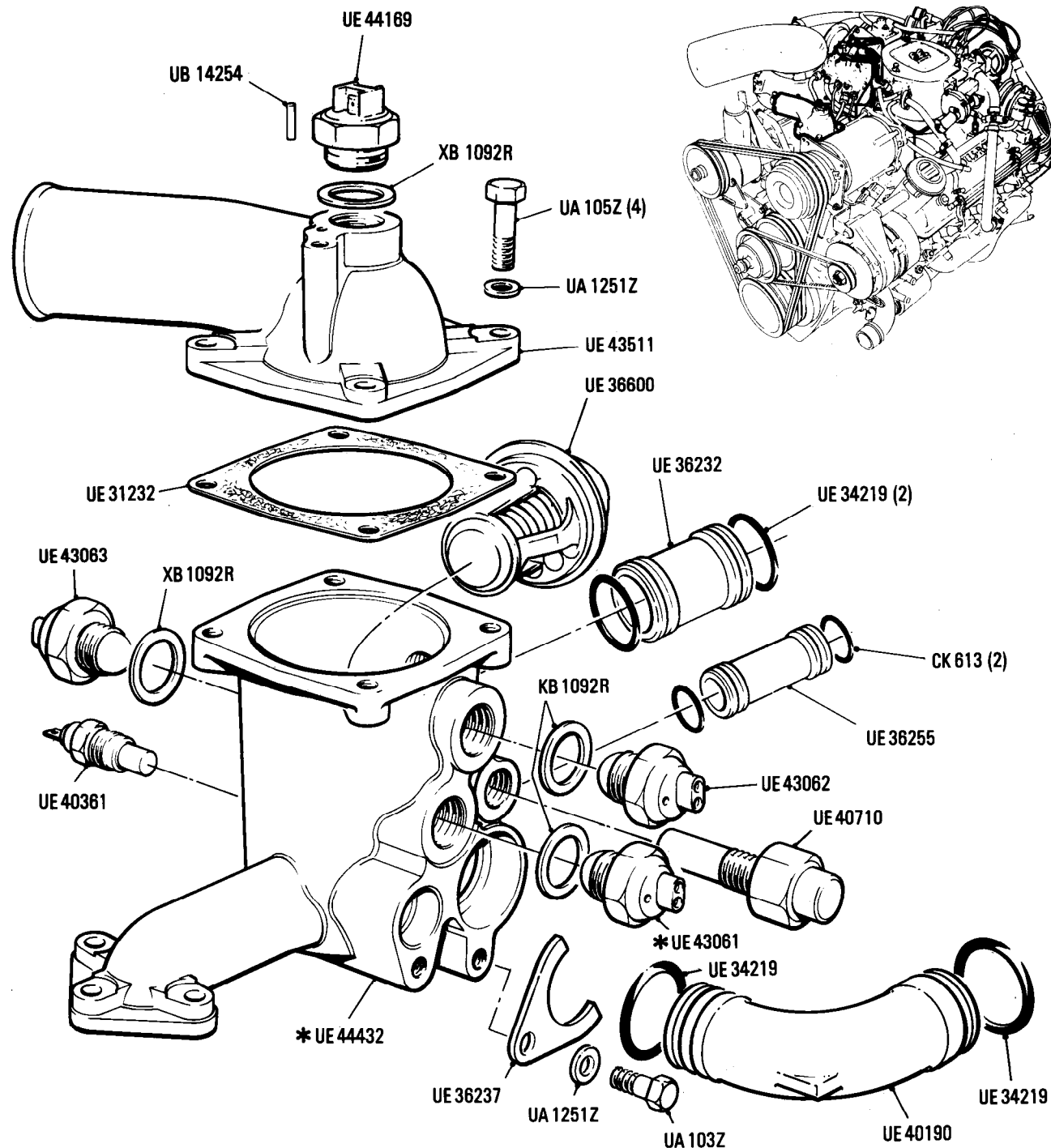
Engine Cooling System Thermostat & Fittings Cars for N. America & Japan

Car serial number

SCAZD42A0BCX05038 to 16968

Parts marked thus * refer to Additional Information below

◁ Left-hand ▷ Right-hand



Additional Information

* UE 44432 Required on cars for N. America

UE 43059	} Required on cars for Japan
UE 43061	
XB 1092R	

© Rolls-Royce Motor Cars Limited 1987

L4·021·02

Rolls-Royce
Corniche

Bentley
Continental

Engine Cooling System

Thermostat

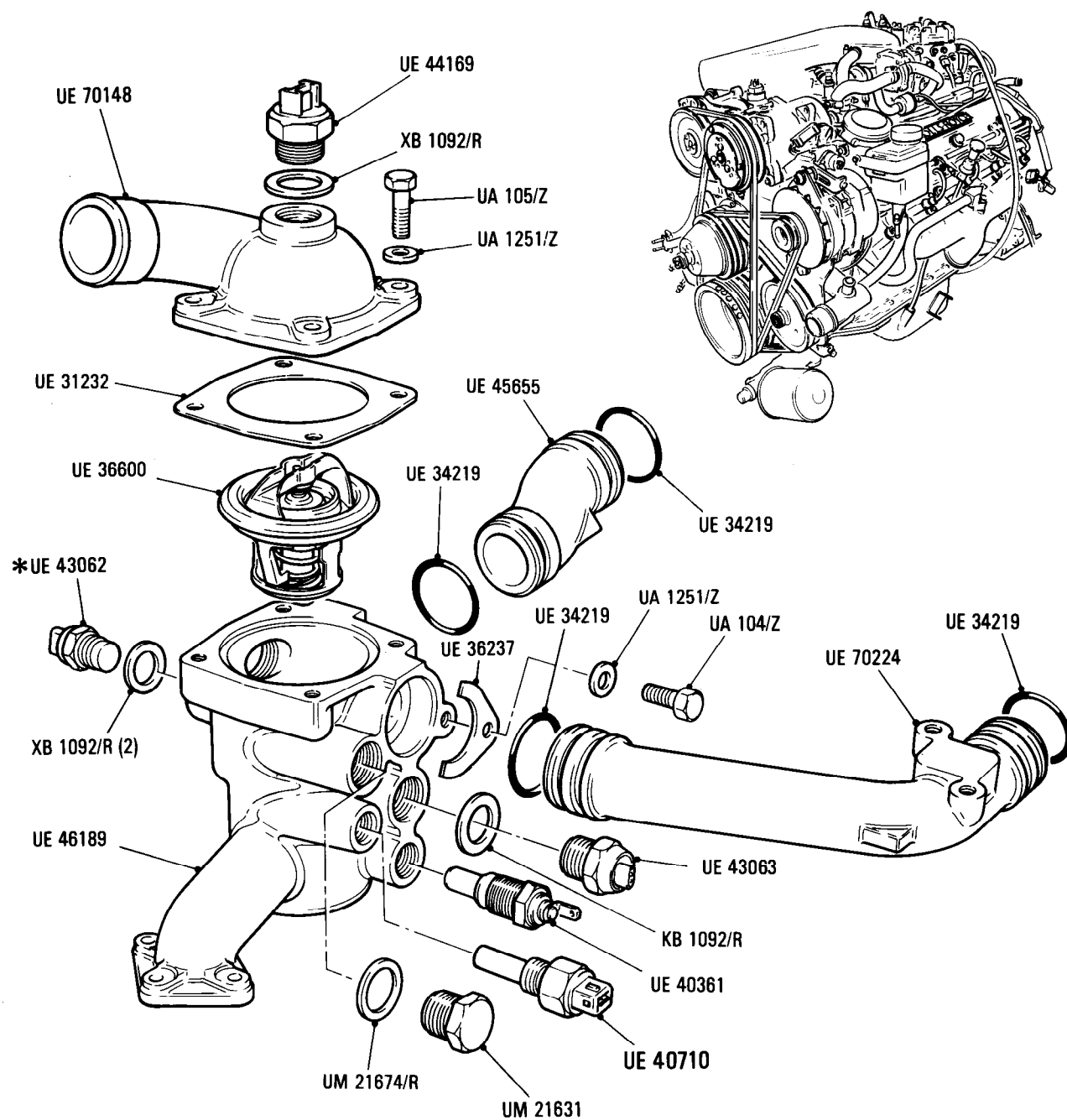
Cars for N. America, Japan, Australia, Middle East, Switzerland & Austria

Parts marked thus * refer to Additional Information below

◀ Left-hand ▶ Right-hand

Car serial number

SCAZD0000HCX20010 to 24837



Additional Information

© Rolls-Royce Motor Cars Limited 1987

* UE 43062 2 off Required for cars for
N. America and Japan
1 off Required for cars for
Australia & Middle East

* UM 21606 } Required for cars for Middle East
XB 1092R }

L4-022-01

Rolls-Royce
Corniche

Bentley
Continental

Cooling System

Thermostat Housing Thermostat & Fittings

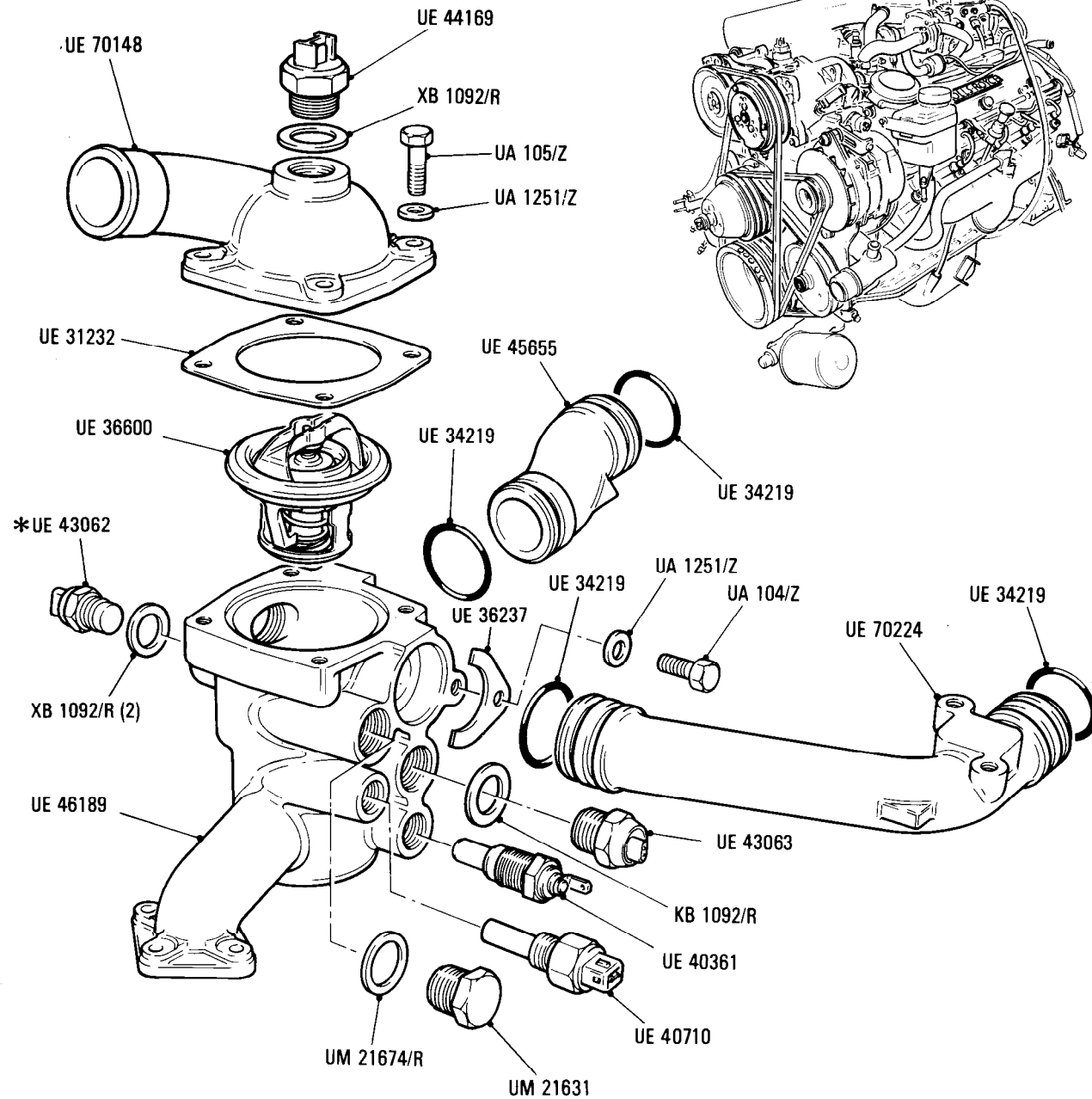
Cars for N. America Japan, Australia, Switzerland, Austria, & Sweden

Car serial number

SCAZD00A7KCH23246, 23247,
24770 to 29290

Parts marked thus * refer to Additional Information below

◀ Left-hand ▶ Right-hand



Additional Information

* UE 43062 2 off Required for cars for N. America,
Japan, Switzerland, Austria, Sweden
1 off Required for cars for Australia

© Rolls-Royce Motor Cars Limited 1987

L4-040-00

Rolls-Royce
Corniche

Bentley
Continental

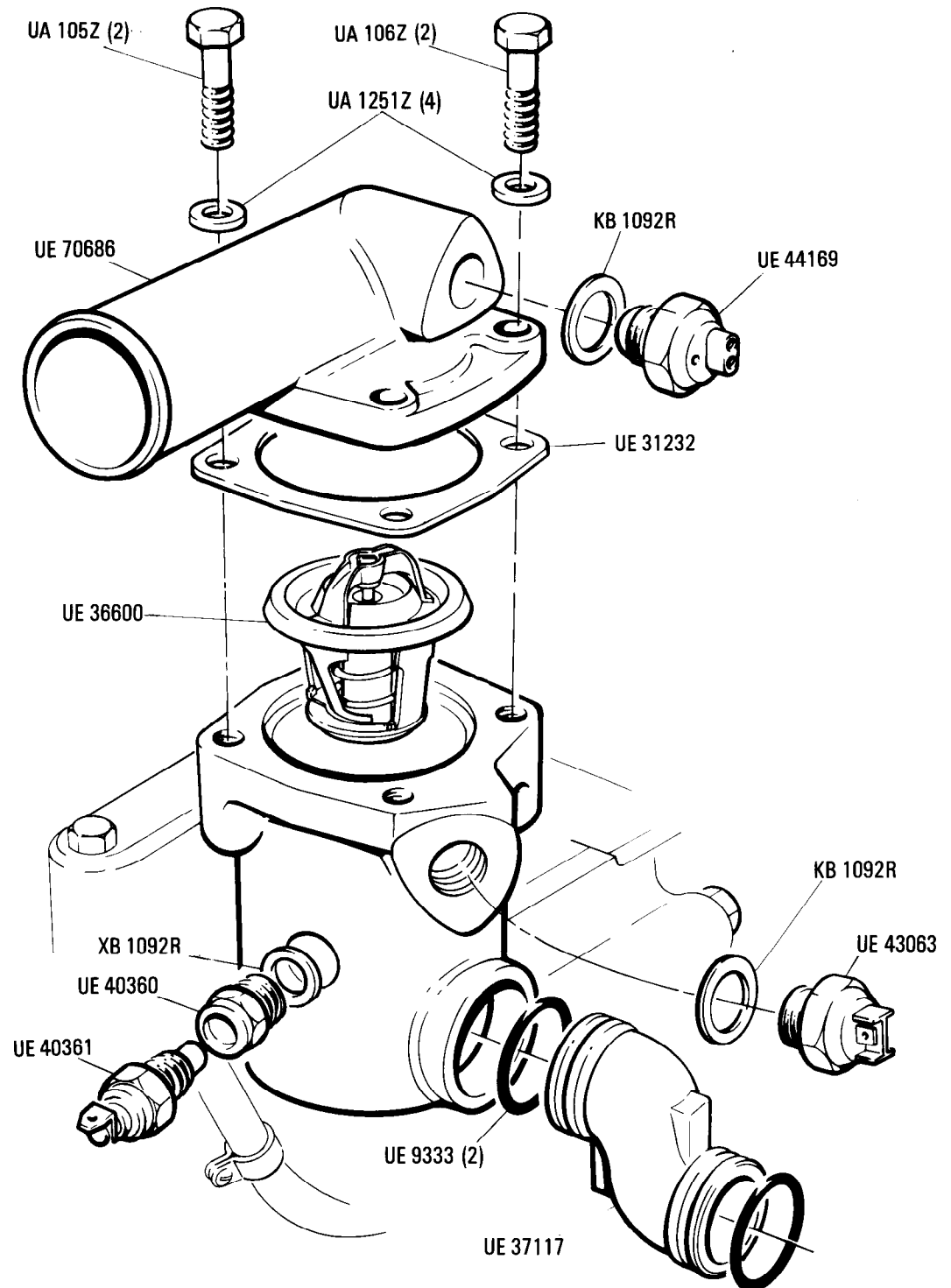
Engine Cooling System
Thermostat & Fittings
Cars for Australia

Car serial number

SCAZD0006CCH05037 to 16968

Parts marked thus * refer to Additional Information below

◁ Left-hand ▷ Right-hand



Additional Information

© Rolls-Royce Motor Cars Limited 1988

L4·041·00

Rolls-Royce
Corniche

Bentley
Continental

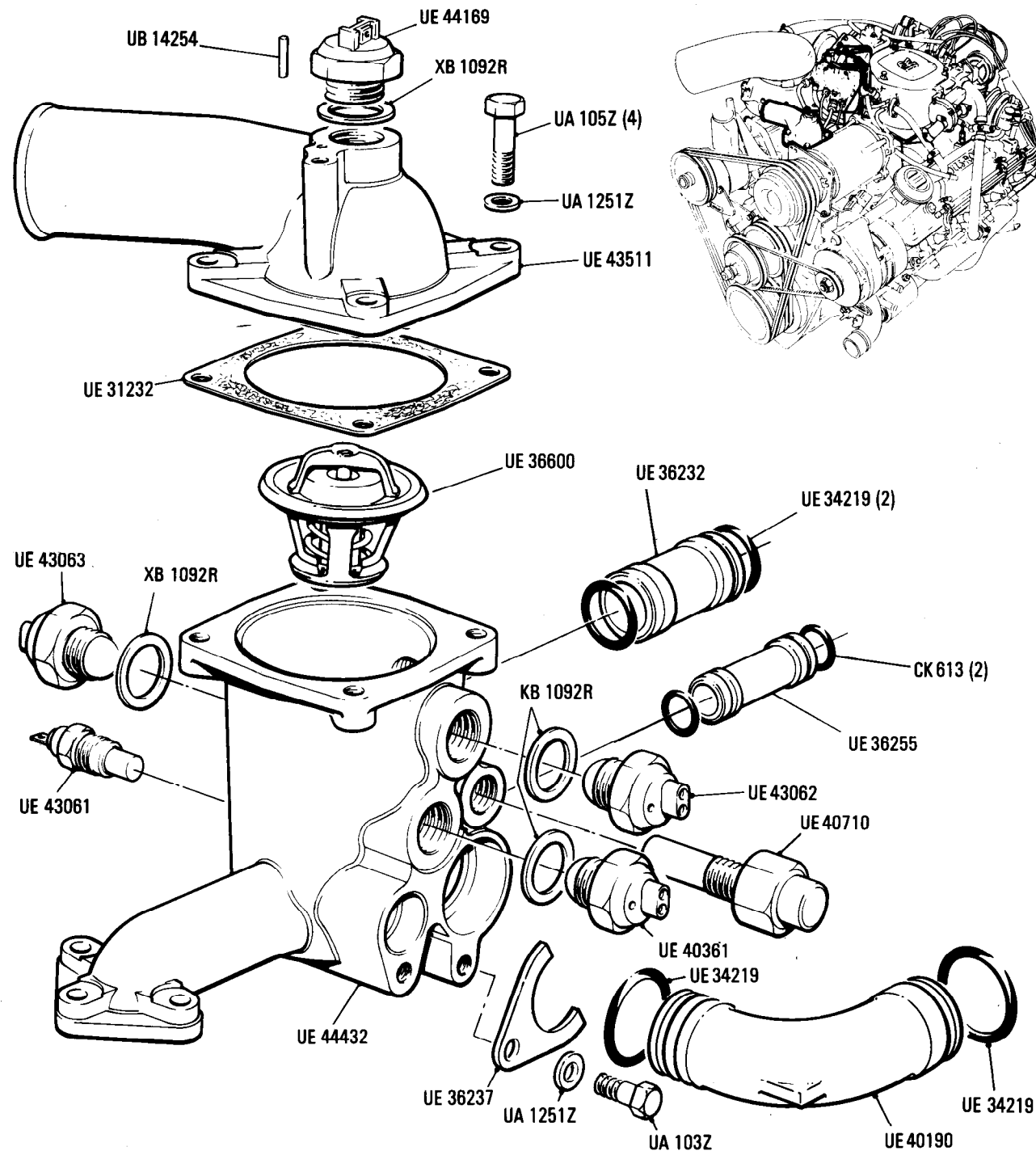
Engine Cooling System
Thermostat & Fittings
Cars for Australia

Car serial number

SCAZD42A9GCX13343 to 16968

Parts marked thus * refer to Additional Information below

◀ Left-hand ▶ Right-hand



Additional Information

© Rolls-Royce Motor Cars Limited 1987

L5-001-01

Rolls-Royce
Corniche
Convertible

Bentley
Corniche
Convertible

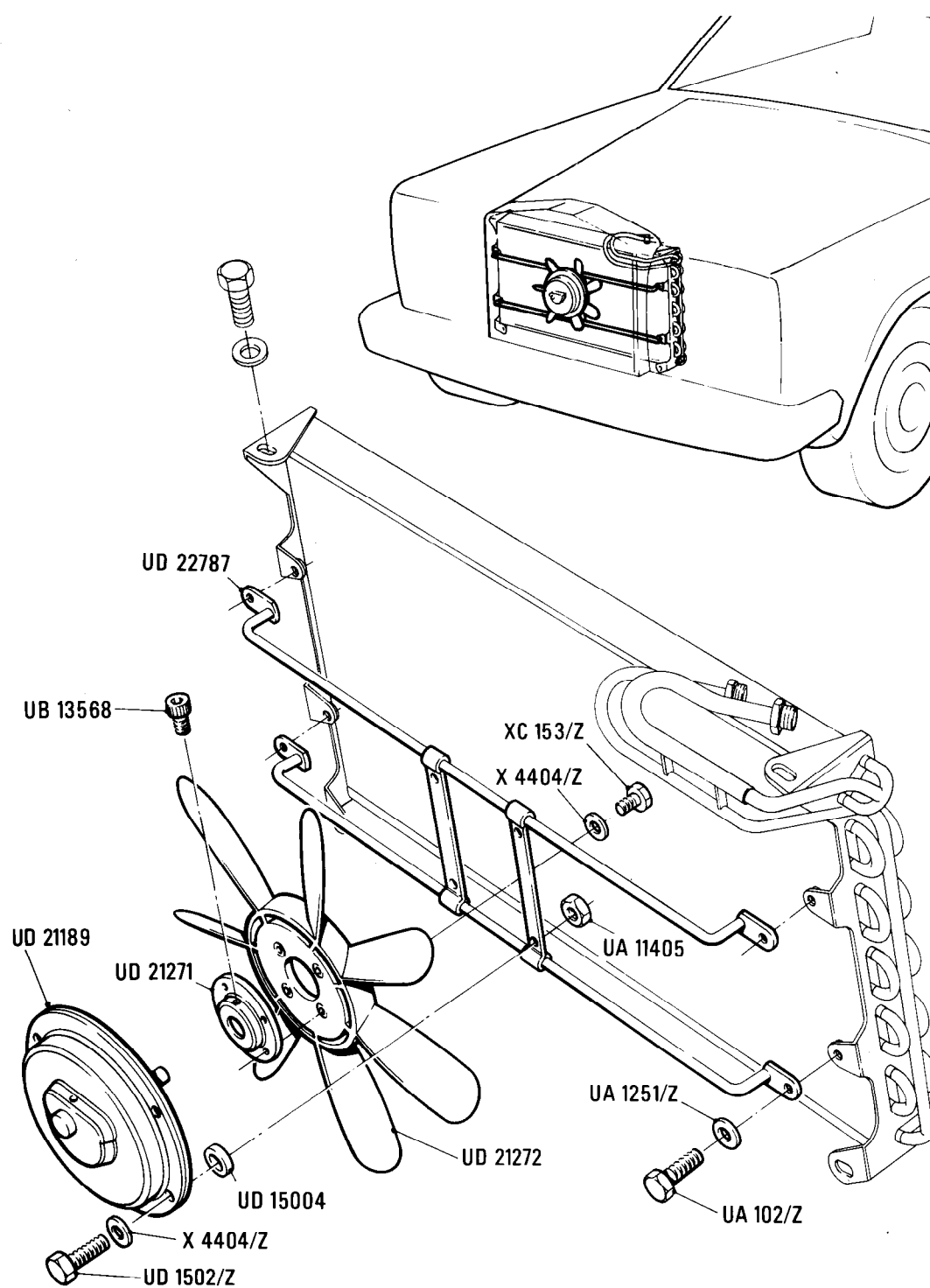
Engine Cooling System Electric Fan & Mounting Bracket

Car serial number

SCAZD0006CCH05037, 05112,
05119 05122, 05230, 05311 - 2
05381, 05385, 05380, 05465,
05495, 05545, 05550, 05552,
05556, 05606, 05609, 05613
05679, 05683 05695, 05701 05822
05827 05959 06038 06186, 06193,
06299, 06381, 06384, 06425,
06429, 06496 06499 06527 06530
06534 06601 06604 06662 06665
06734, 06738 06808 06858 06862,
06913, 06945 06947 - 8, 06979 - 80,
06984 06997, 07001 07016, 07047,
07050, 07139 - 40, 07143, 07134,
07317 - 8, 07351, 07483 to 07687

Parts marked thus * refer to Additional Information below

◀ Left-hand ▶ Right-hand



Additional Information

© Rolls-Royce Motor Cars Limited 1991

L5·002·00

Rolls-Royce
Corniche
Convertible

Bentley
Corniche
Convertible

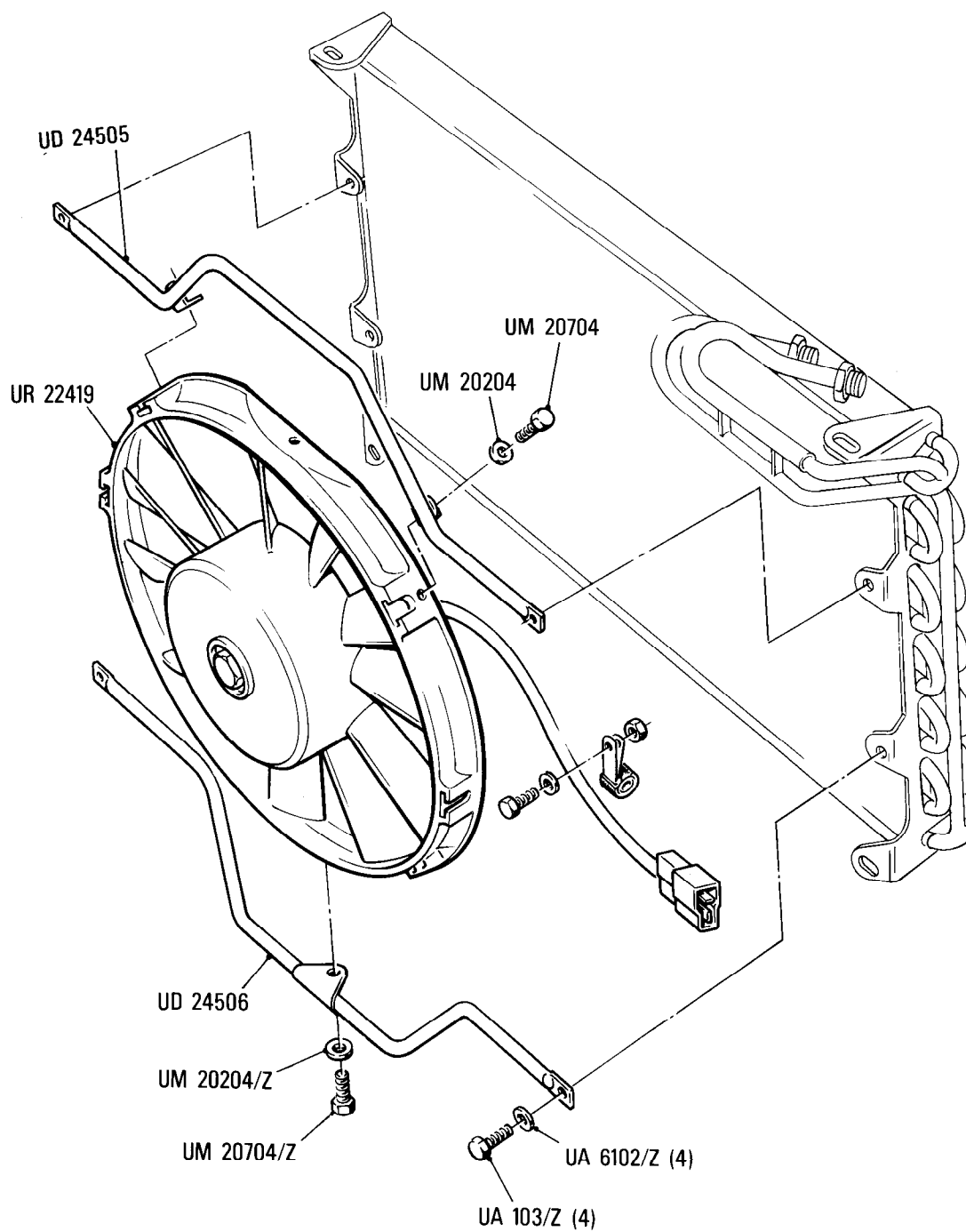
Engine Cooling System Bosch Electric Fan & Mounting

Car serial number

SCAZD42A9DCX07490, 07689 to
10122 except 10081

Parts marked thus * refer to Additional Information below

◀ Left-hand ▶ Right-hand



Additional Information

© Rolls-Royce Motor Cars Limited 1991

L5·003·00

Rolls-Royce
Corniche

Bentley
Continental

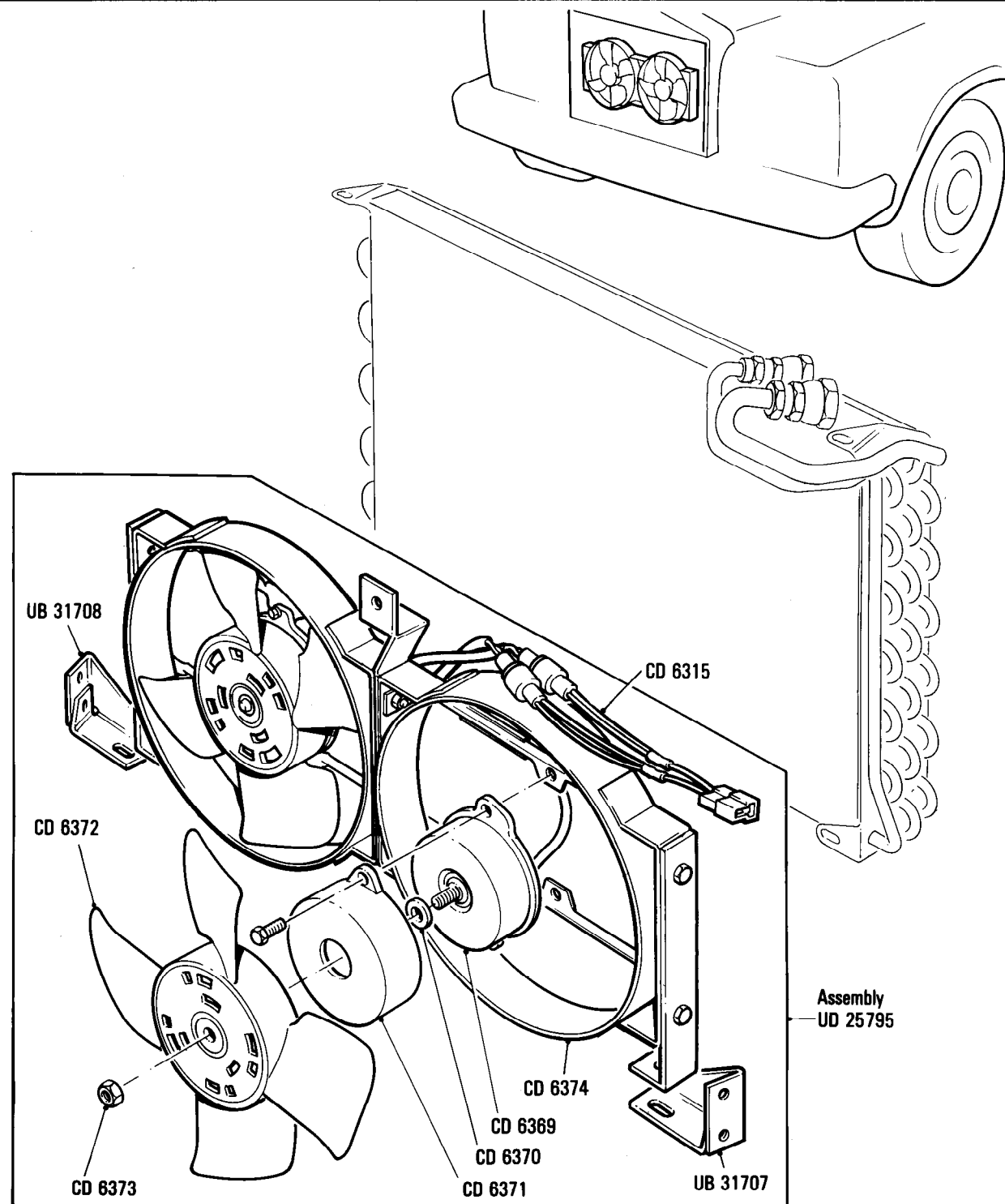
Engine Cooling System Electric Fans (A.R.A.)

Car serial number

O.T. America & Middle East
SCAZ000FCX10123 to 16968
America only
SCAZD42A3FCX10081 to 16968

Parts marked thus * refer to Additional Information below

◀ Left-hand ▶ Right-hand



Additional Information

- *CD 6315 Loom only
- CD 6369 Motor
- CD 6370 Spacer
- CD 6371 Cover
- CD 6372 Fan blade
- CD 6373 Nut
- CD 6374 Bracket - Fan shroud

© Rolls-Royce Motor Cars Limited 1991

L5·004·00

Rolls-Royce
Corniche

Bentley
Continental

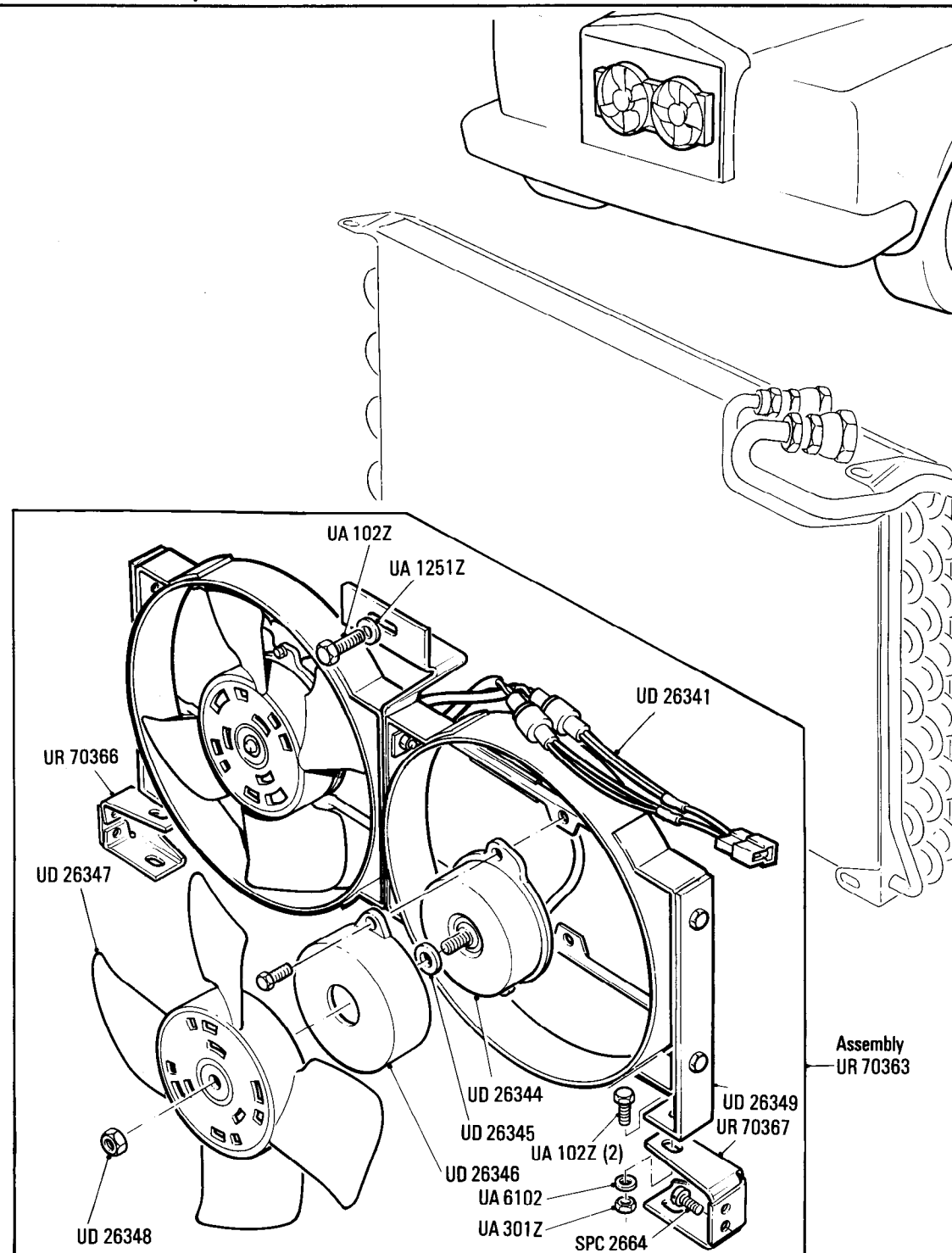
Engine Cooling System Electric Fan (A.R.A.)

Car serial number

SCAZD0000HCX20010 to 29290

Parts marked thus * refer to Additional Information below

◀ Left-hand ▶ Right-hand



Additional Information

© Rolls-Royce Motor Cars Limited 1991

L5·010·01

Rolls-Royce
Corniche
Convertible

Bentley
Corniche
Convertible

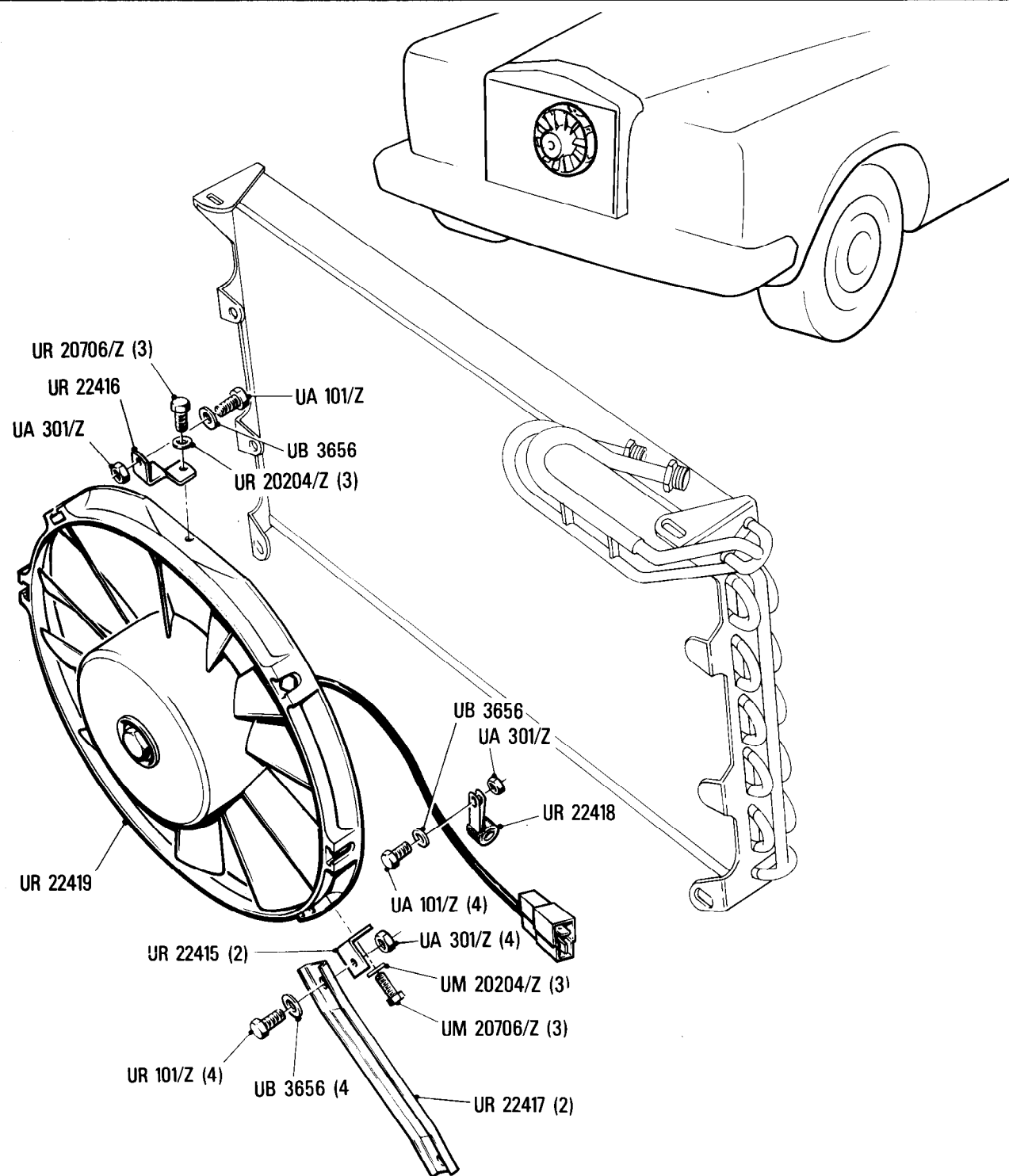
Engine Cooling System Bosch Cooling Fan & Mounting Brackets (Fuel Injection Cars)

Car serial number

SCAZD0006CCH05037, SCAZD42A2DCX07489,
07492, 07548, 07553, 07580, 07588,
07642, 07647 to 07688 except 07490

Parts marked thus * refer to Additional Information below

◀ Left-hand ▶ Right-hand



Additional Information

© Rolls-Royce Motor Cars Limited 1991