

Fig. 1

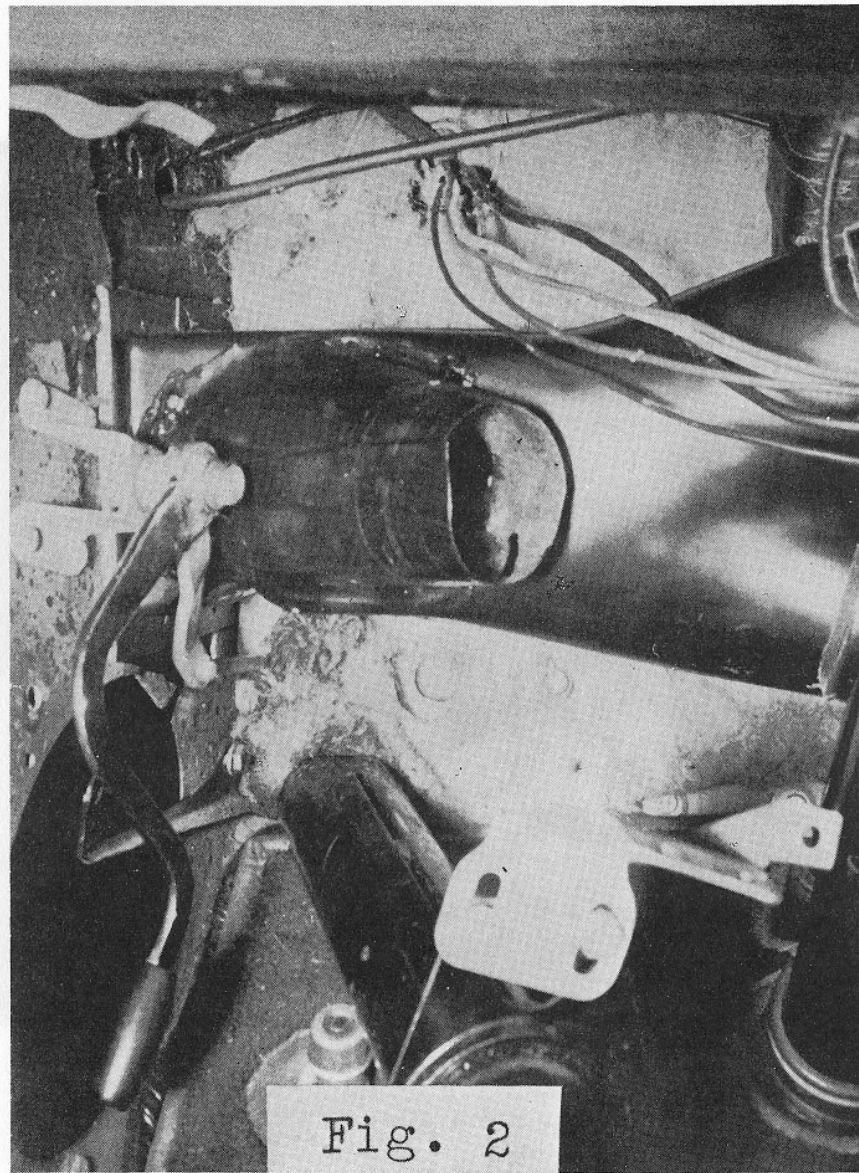
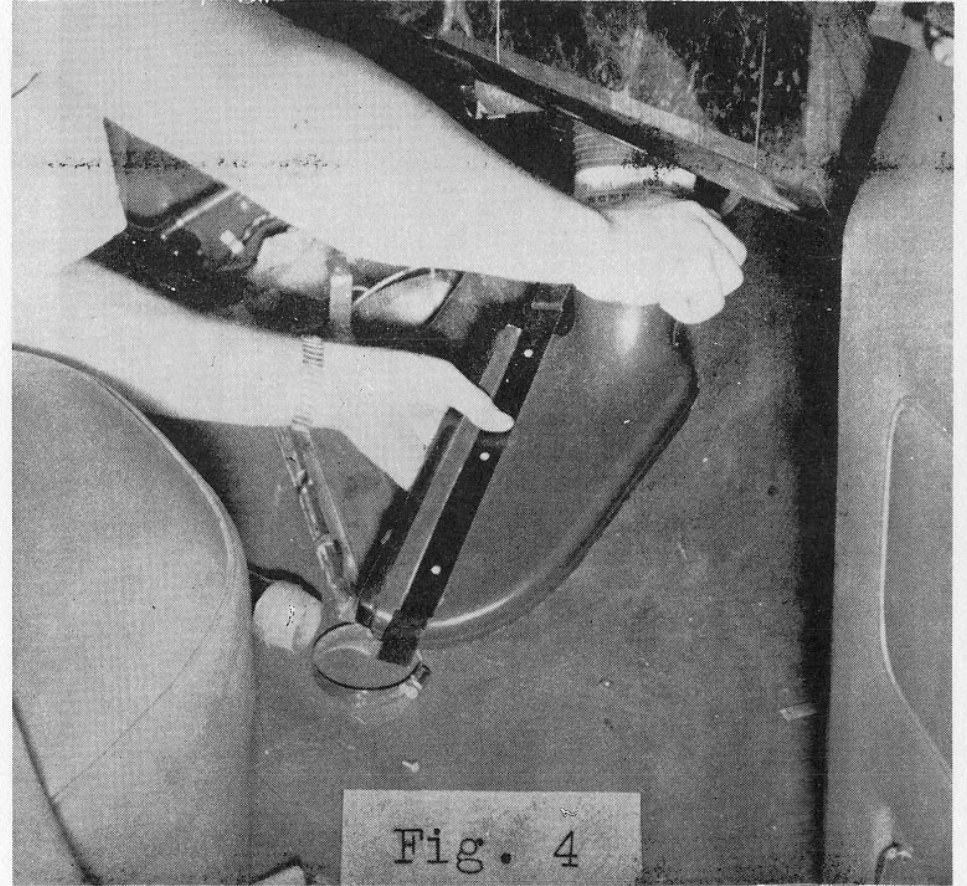
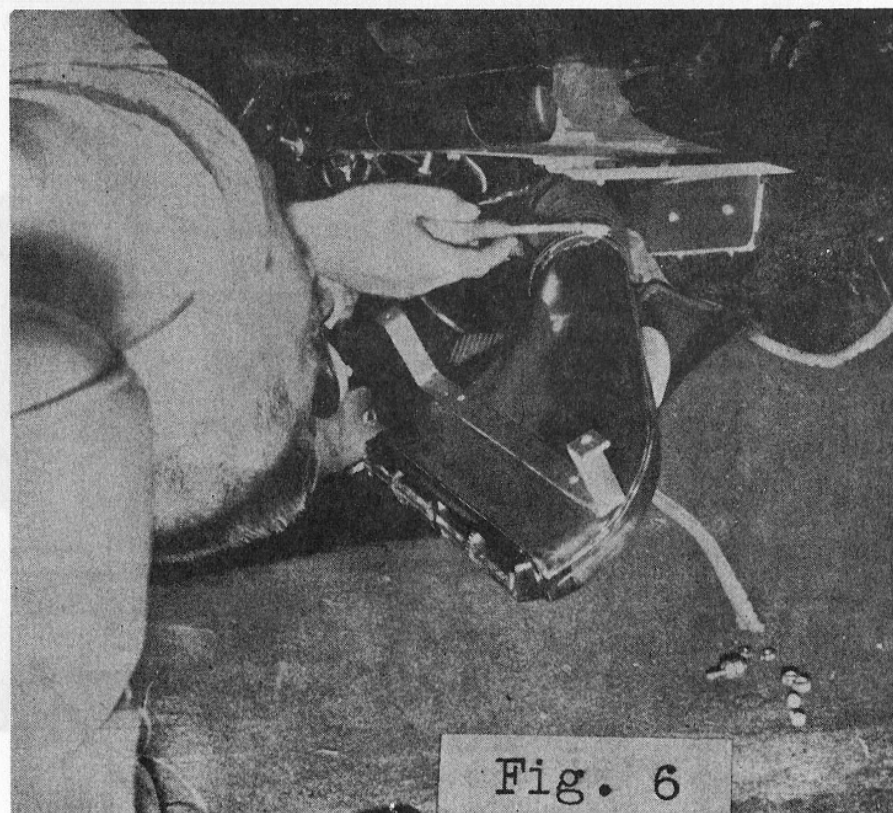
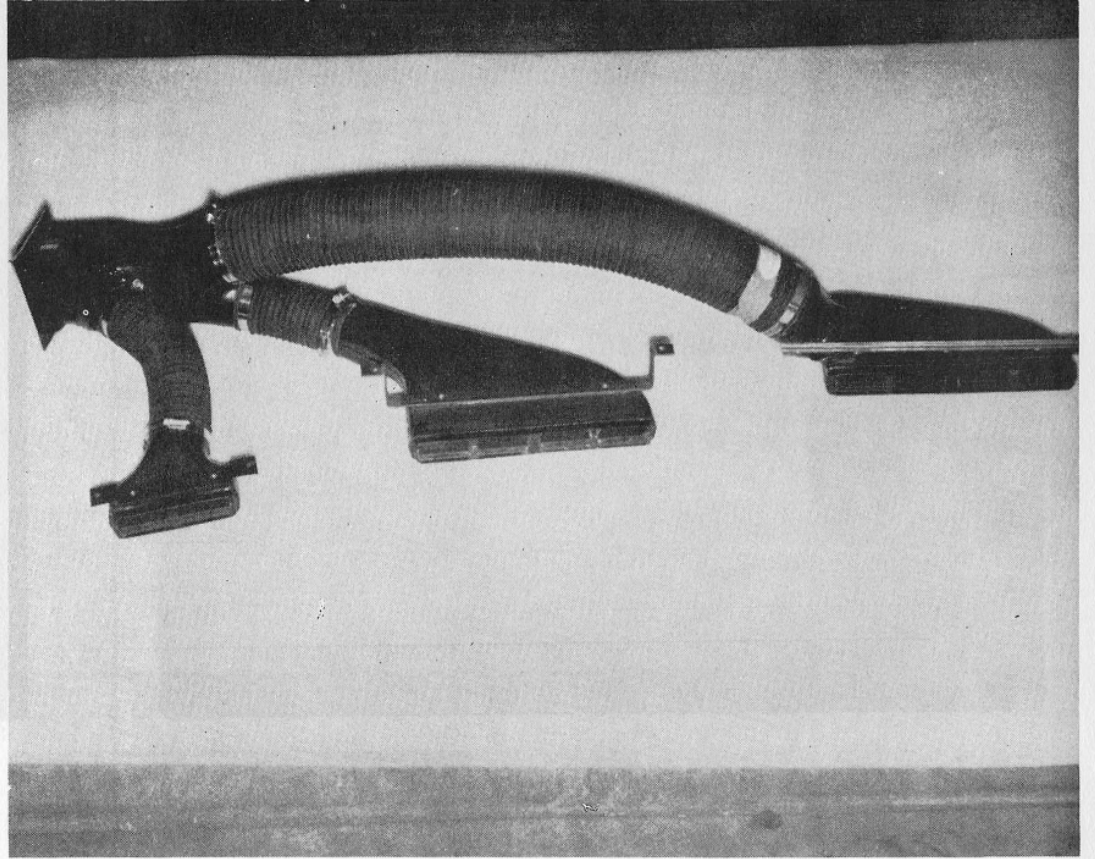
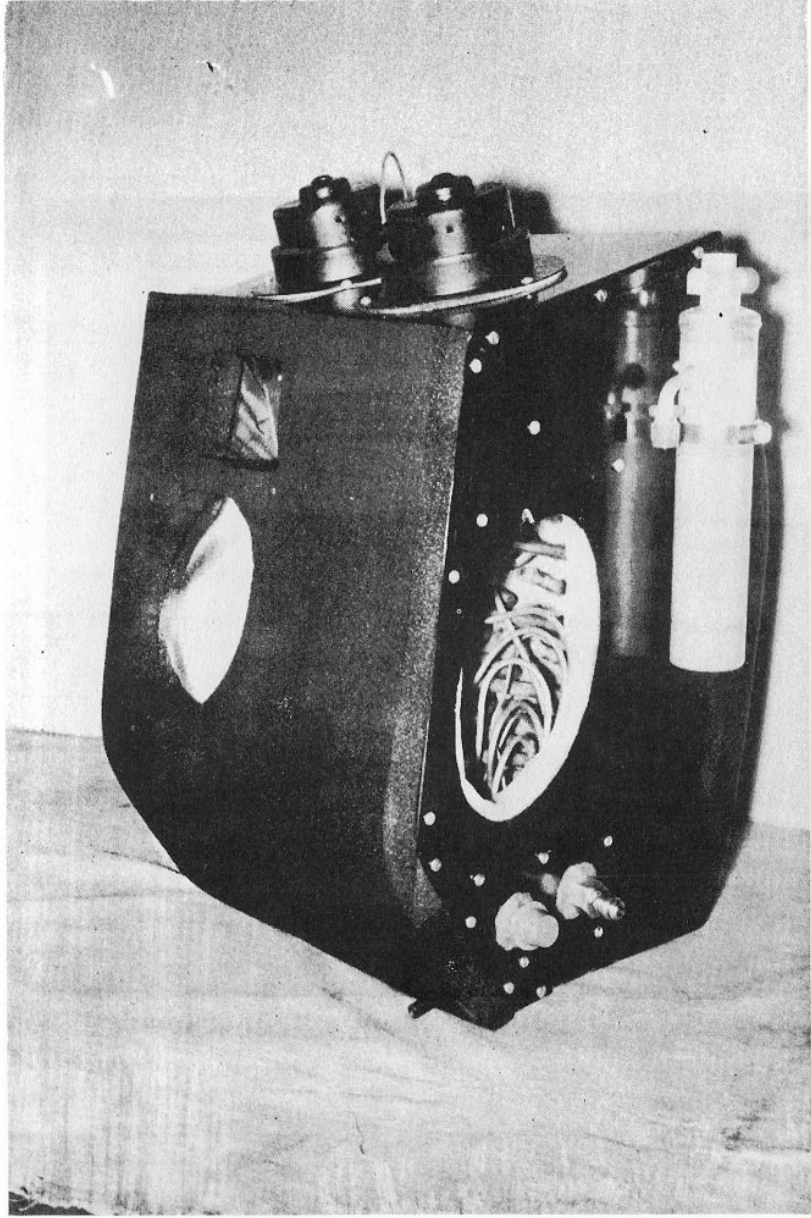


Fig. 2

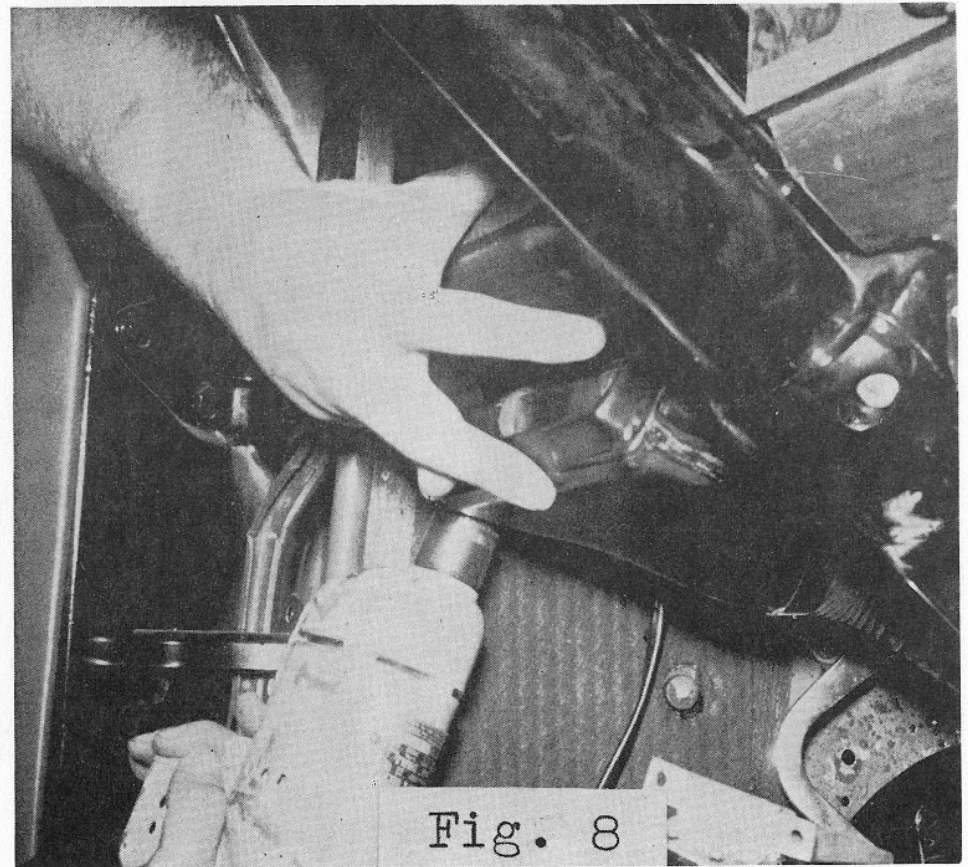
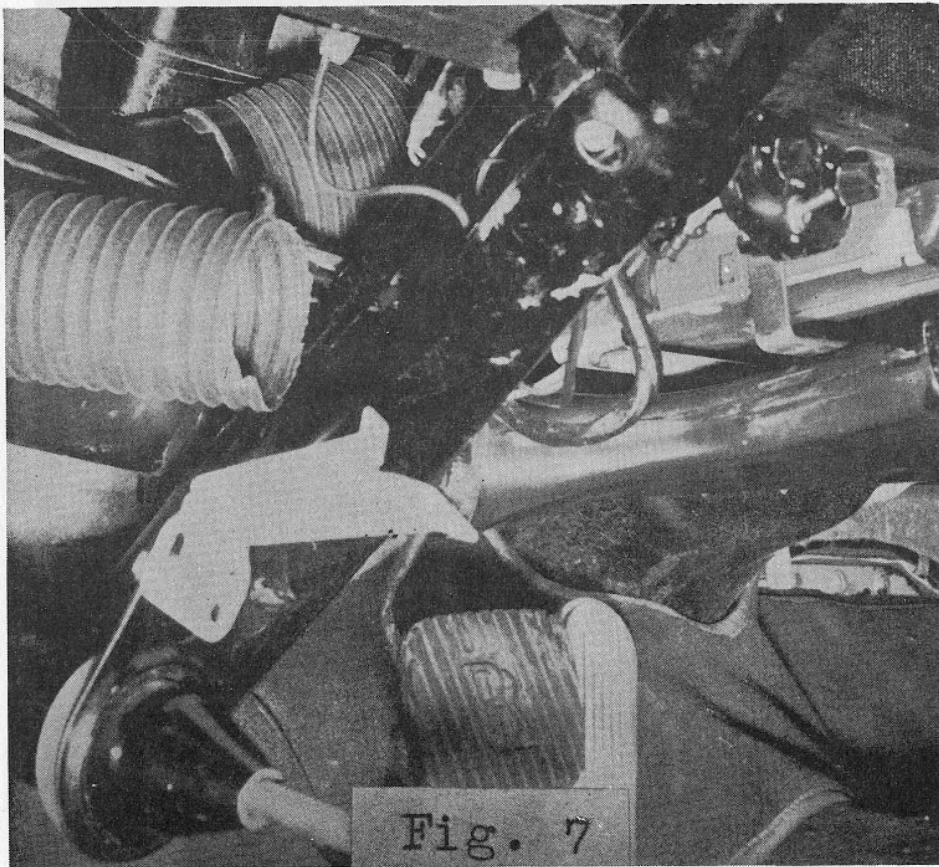


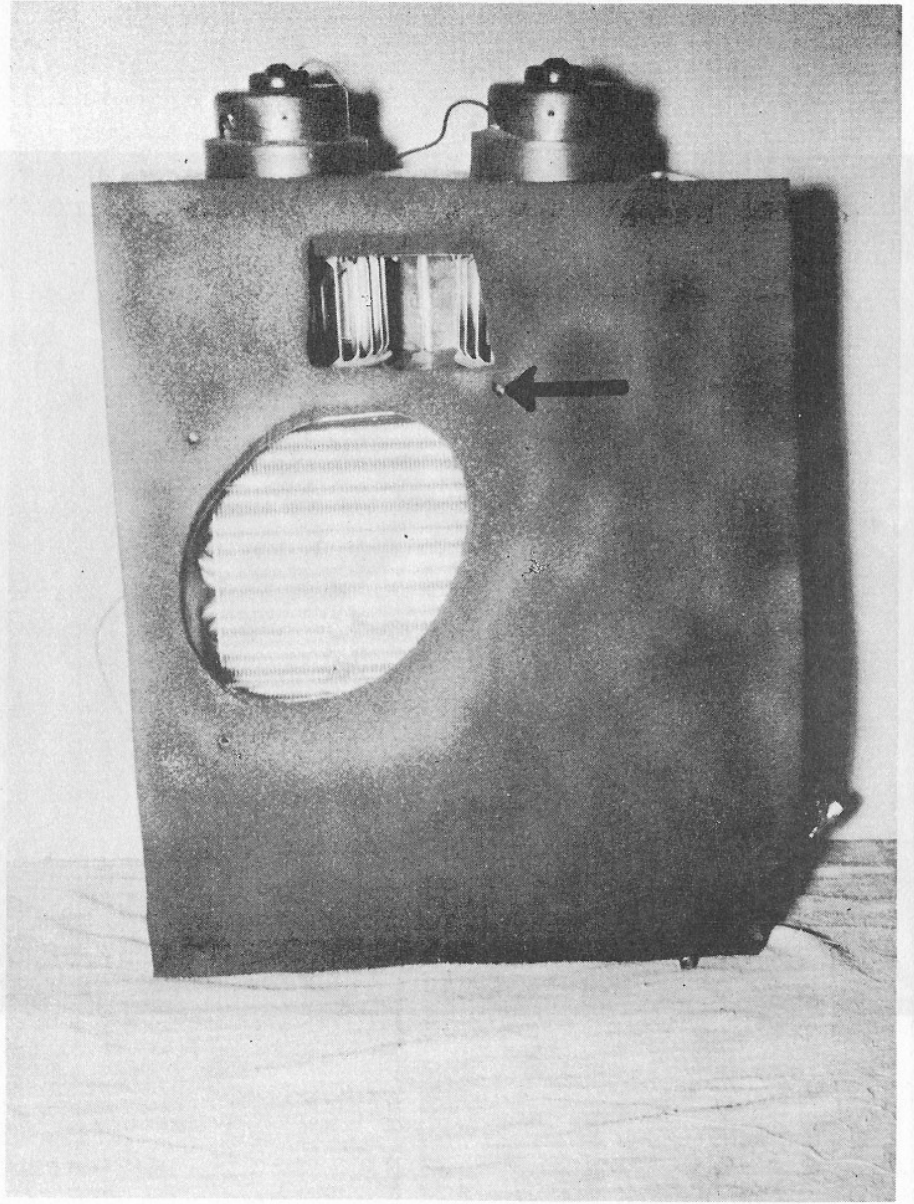
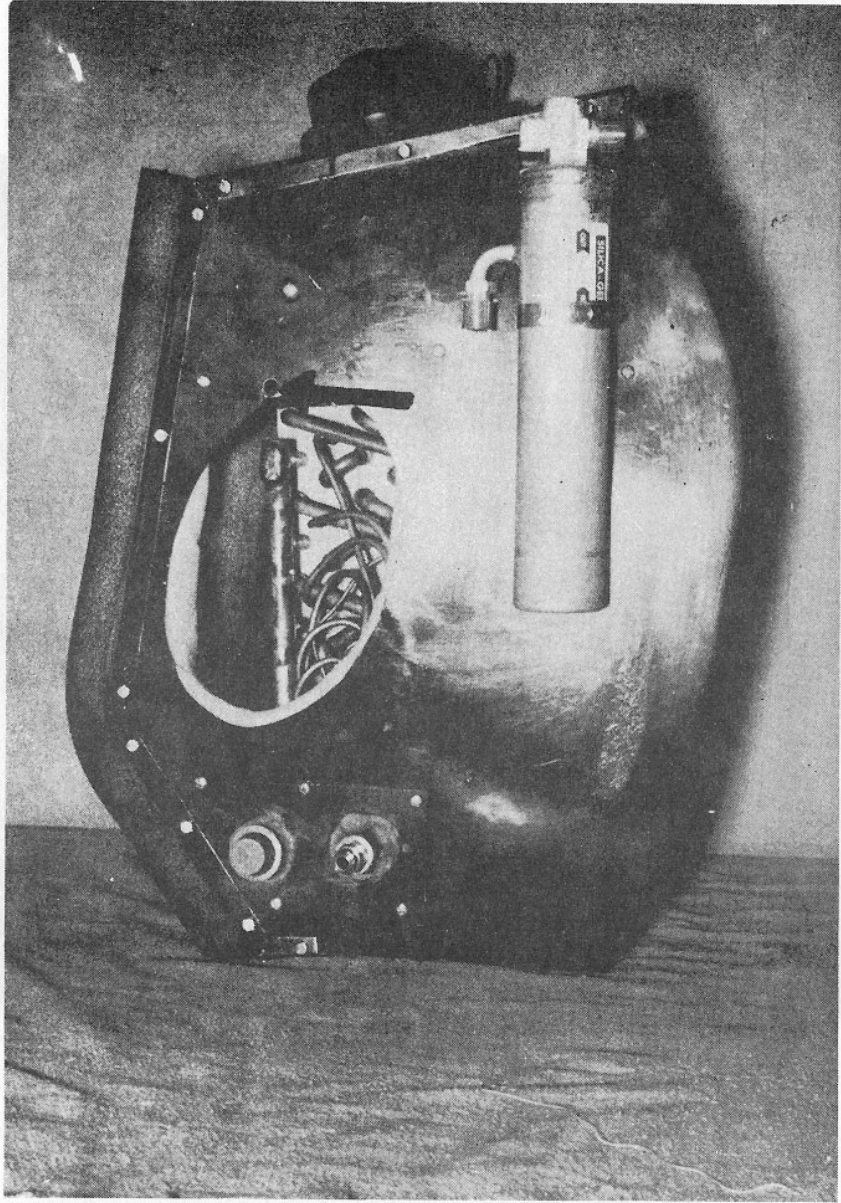




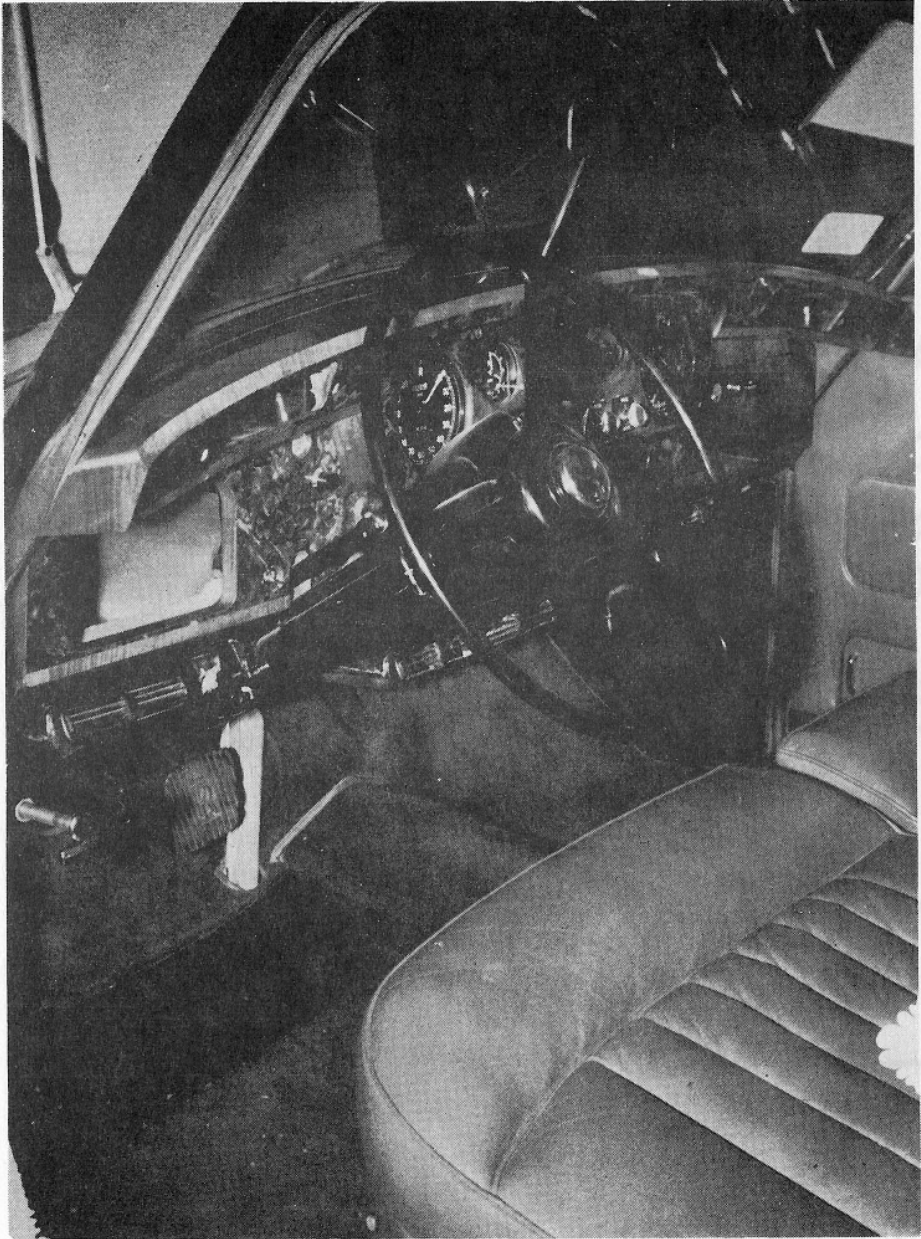












YSEA  
MIBER 8000

FIGURE 1 B

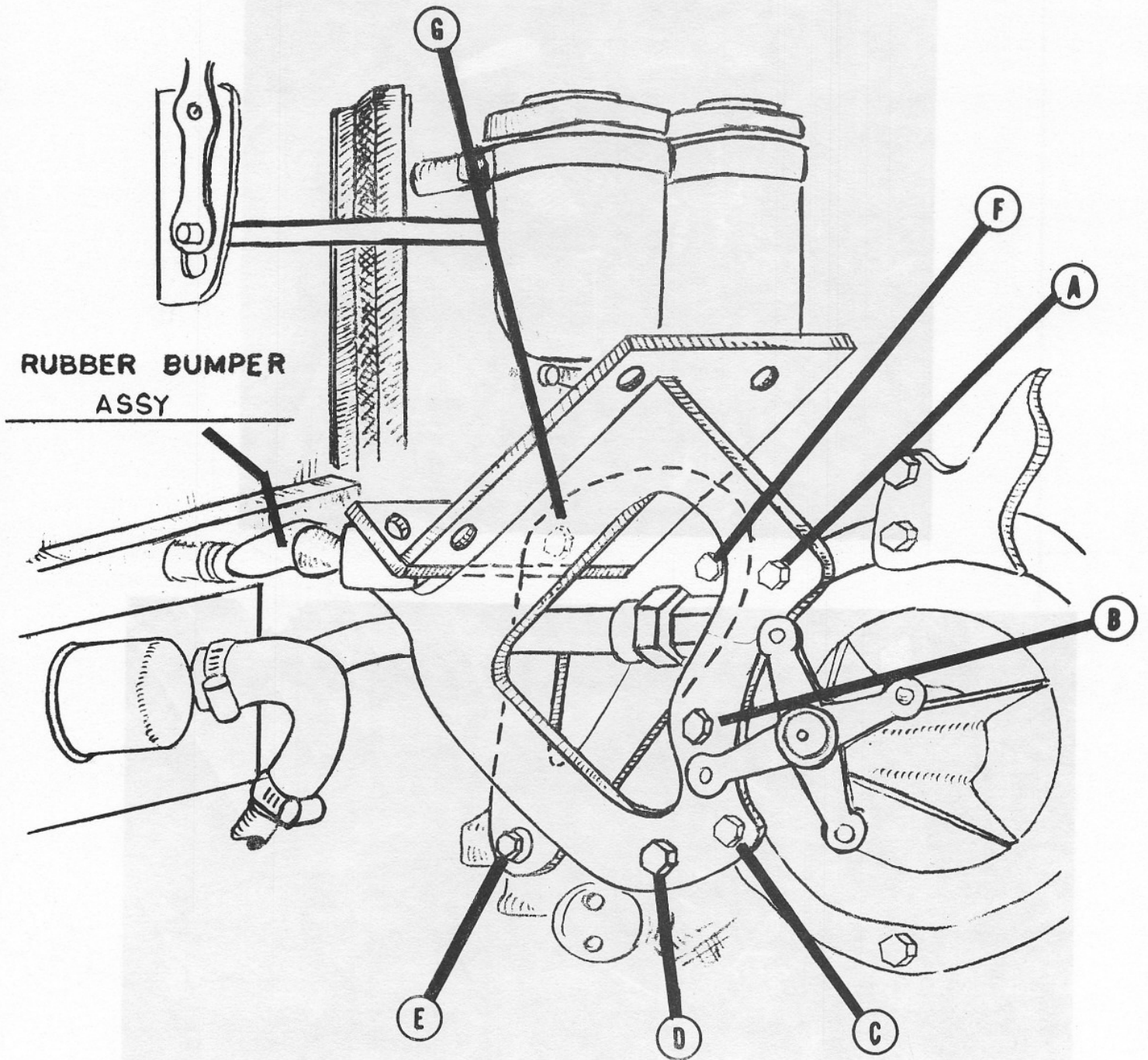
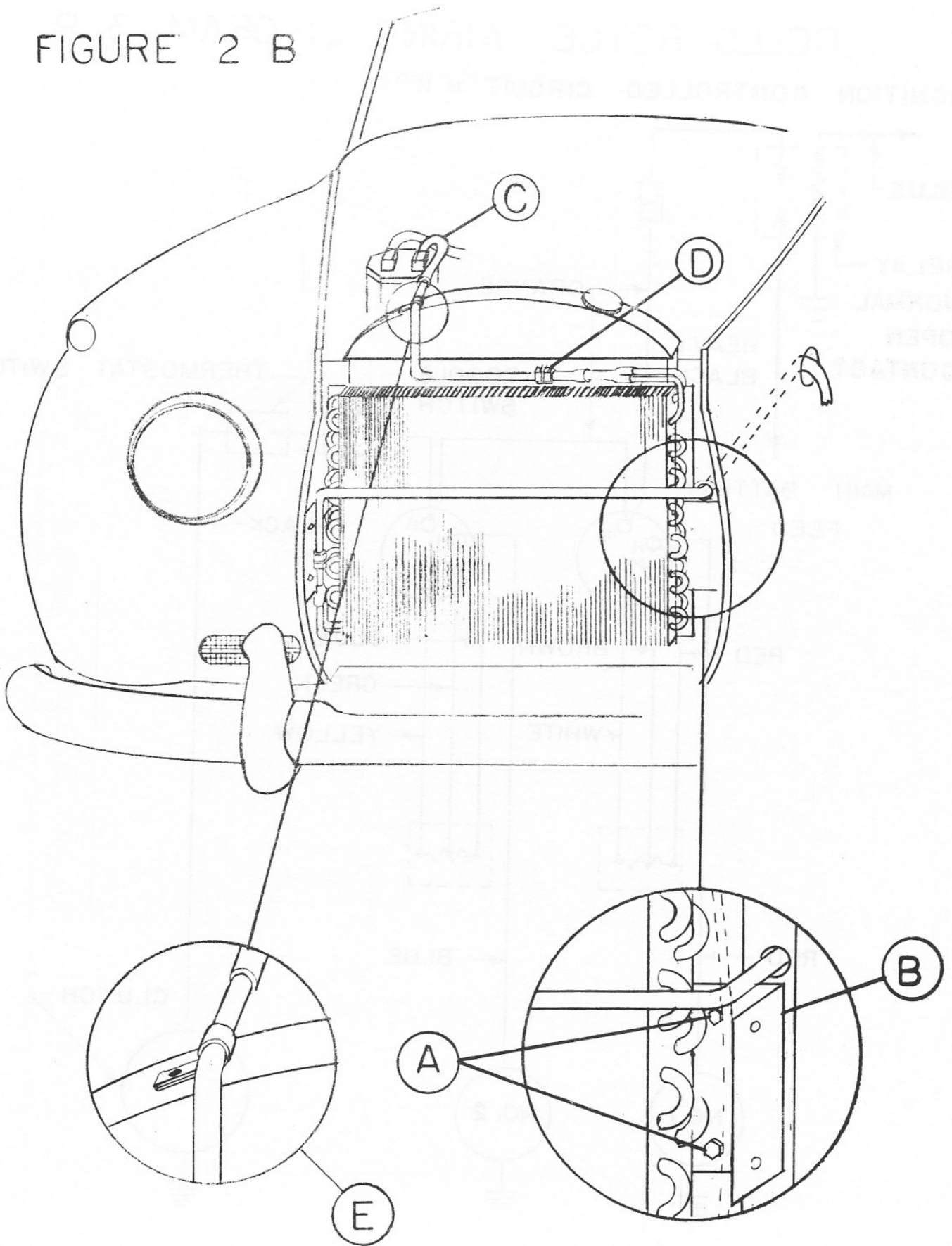


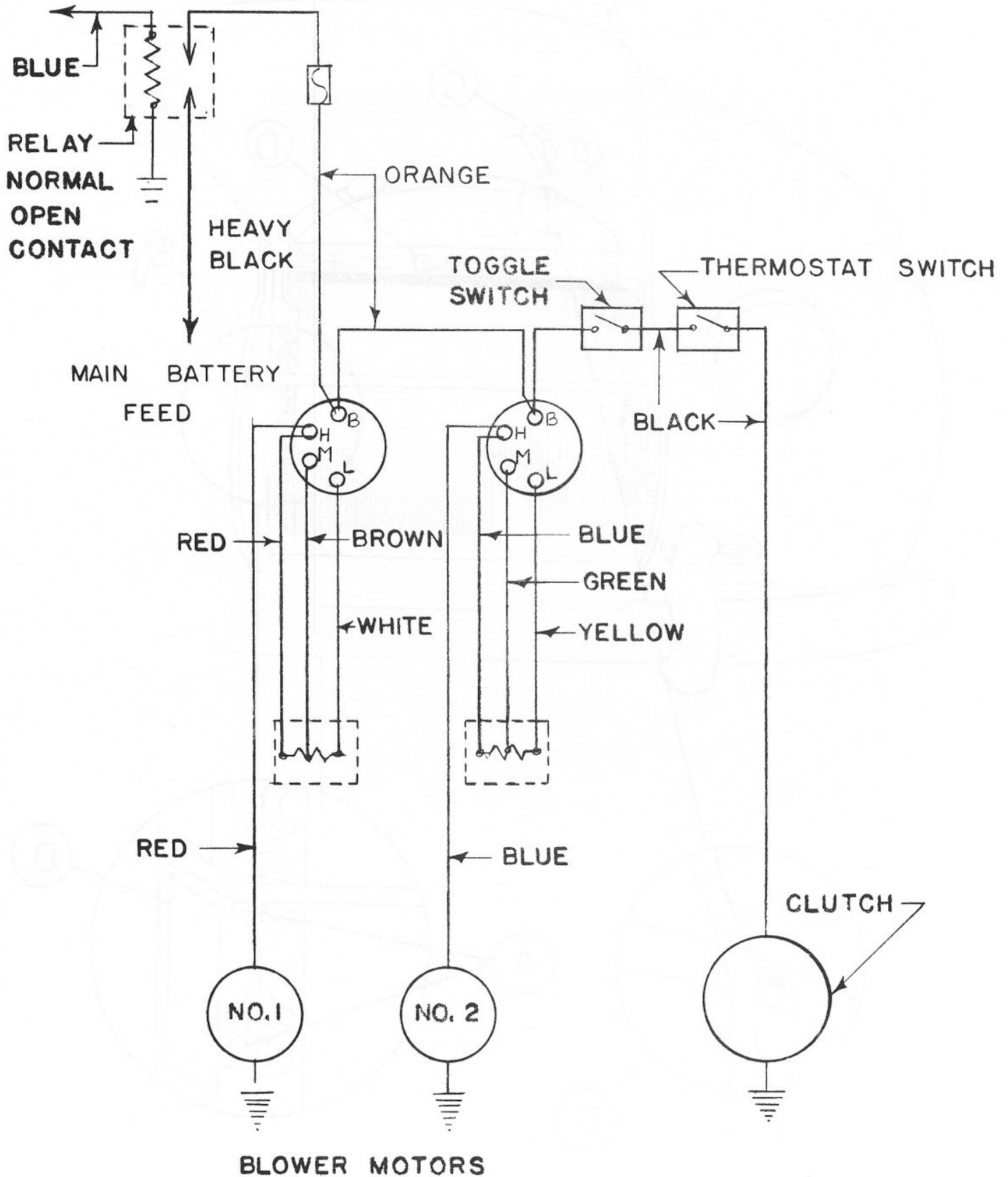


FIGURE 2 B



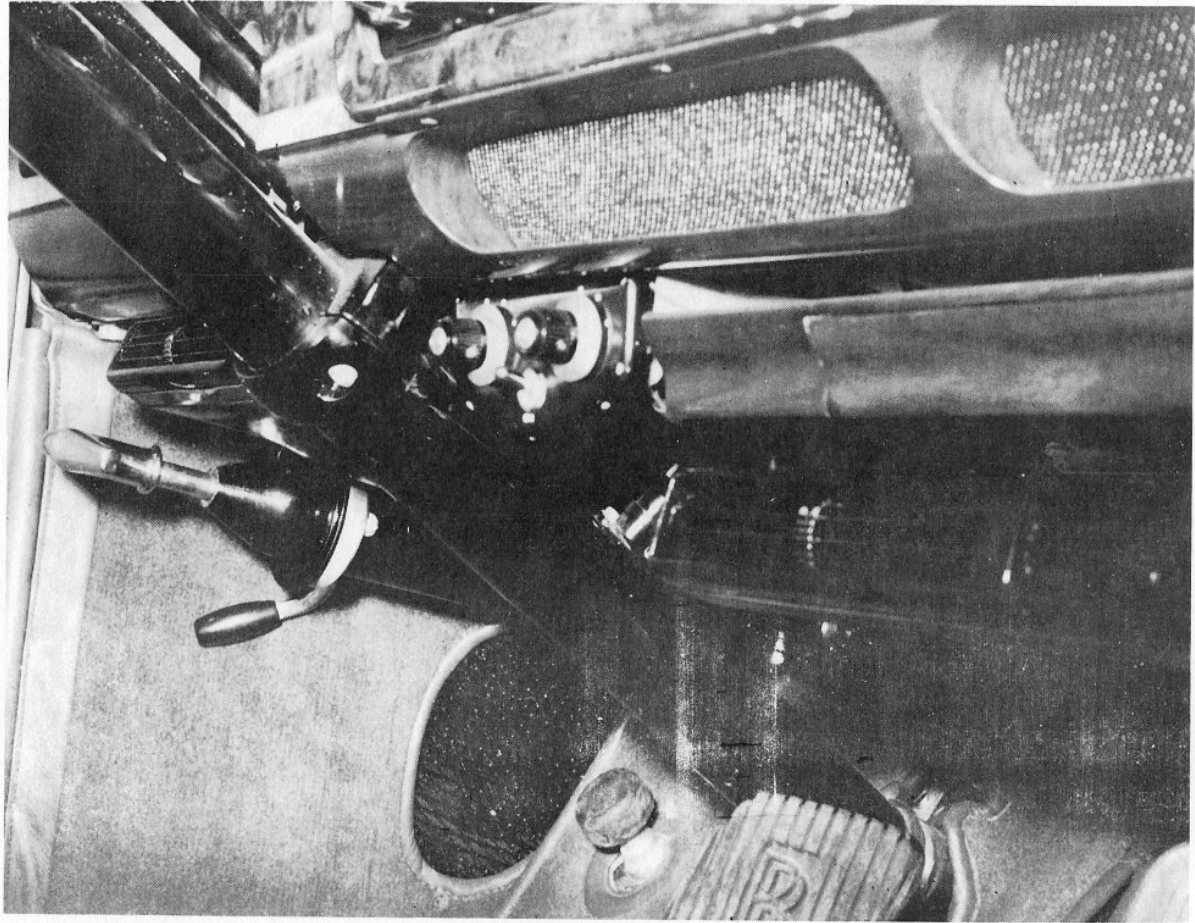
# ROLLS ROYCE WIRING DIAGRAM 3 B

## IGNITION CONTROLLED CIRCUIT # II.





ORIGINAL HEATER DUCT AFTER ALTERATION ON BOYCE BOYCE

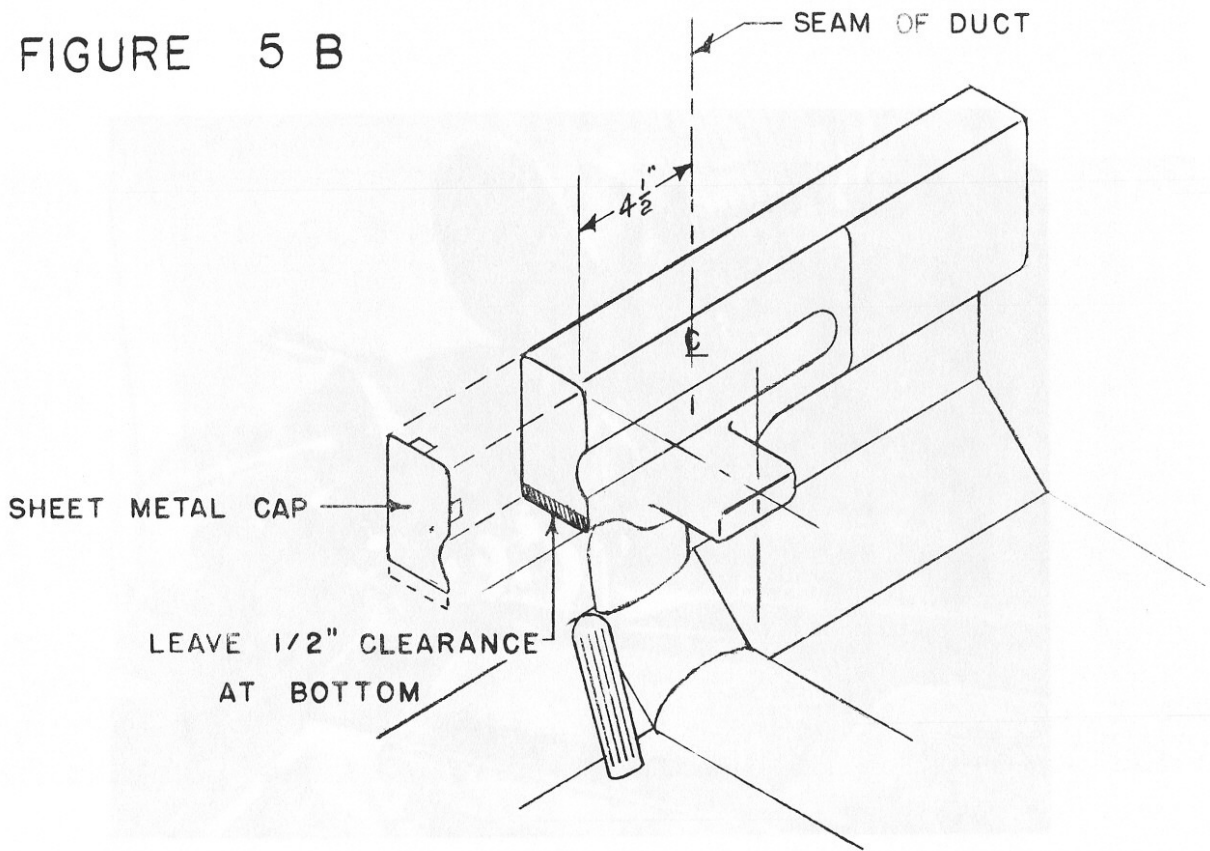


SHEET

FIGURE 2 B

SEAM OF DUCT

FIGURE 5 B



ORIGINAL HEATER DUCT AFTER ALTERATION ON ROLLS ROYCE



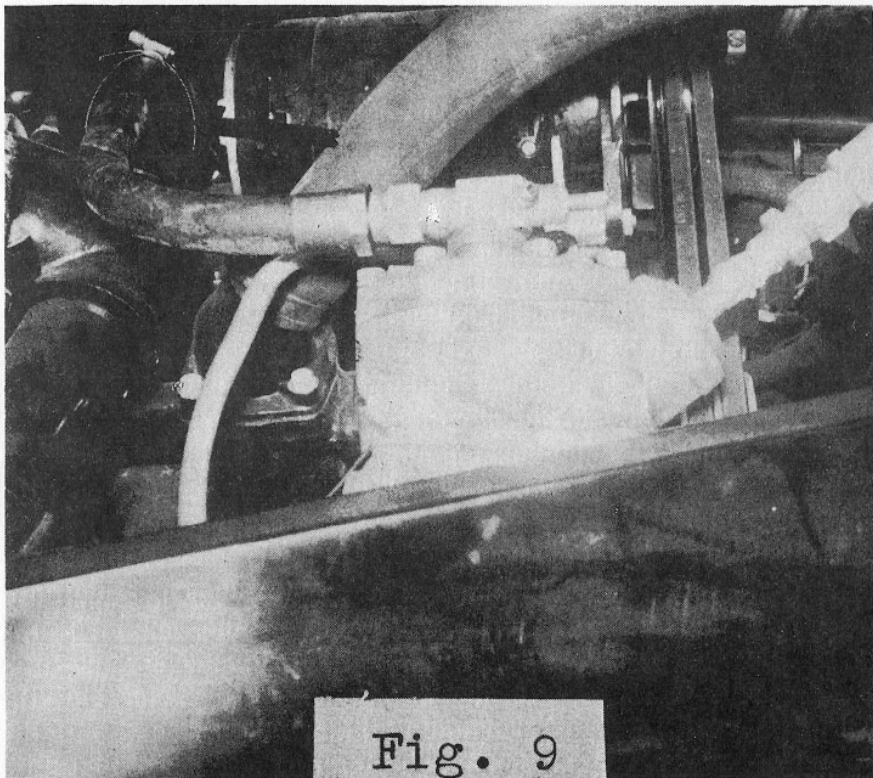


Fig. 9

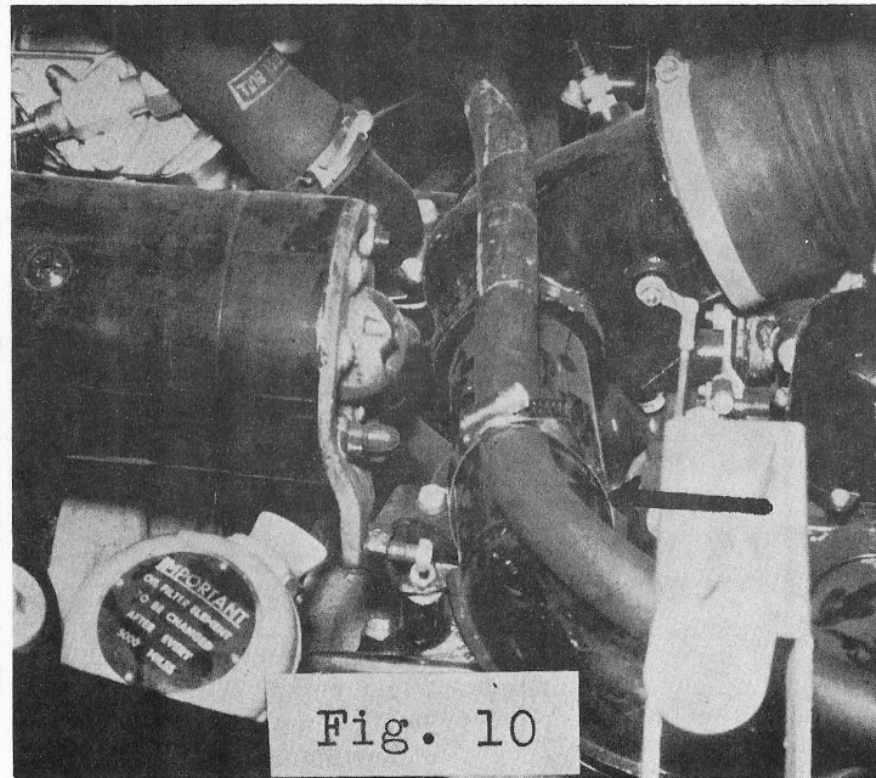


Fig. 10

Joint: Oil Seal Connection  
 Material: Duralumin Connection  
 Material: Aluminum Label Case

DECARBONISING SET

BENTLEY S.1. CONTINENTAL.

The following parts can be supplied as set for decarbonising the above car

EB.1886	Packing, Washer, Inlet Valve	6
EB.1747	Retaining Ring, Valve	6
EB.3998	Seal, Rocker Cover, Stud	3
UE.379	Joint, Rocker Cover	1
RE.15083	Joint, Tapper Cover	2
UE.1175	Joint, Exhaust Manifold to Pipe	2
CD.151	Washer, Sparking Plugs	6
RE.15203	Joint, Hotspot to Cylinder Head	1
UE.411	Joint, Exhaust Manifold to Crankcase	6
EB.4042	Joint, Distributor Housing	1
RF.3274	Washer, Aluminium, Tappet Cover	4
KB.1092	Washer, Breather Connection	1
RE.3523	Joint, Oil Feed Connection	2
UE.5053	Gasket, Cylinder Head	1
UE.2303	Joint, Induction Manifold	1
RE.10611	Joint, Carburetter to Manifold	2
UE.3003	Hose, Top	1
UR.794	Washer, Petrol Filter	1
RE.13241	Joint, Air Intake to Butterfly Housing	1
RE.10620	Joints, Air Intake to Carburetters	2
RE.8291	Joint, Hotspot Connection, Manifold	1
RE.12659	Hose, Joint (Py Pass)	1

Used on all 'A' Series.

Used on 'B' Series BC - BG 1-5, 7-20

Piece Number of the set is RH.2124.



DECARBONISING SET

BENTLEY S.1. CONTINENTAL

The following parts can be supplied as set for decarbonising the above car: -

EB.1886	Packing, Washer, Inlet Valve	6
EB.1747	Retaining Ring, Valve	6
EB.3998	Seal, Rocker Cover, Stud	3
UE.379	Joint, Rocker Cover	1
RE.15083	Joint, Tappet Cover	2
UE.1175	Joint, Exhaust Manifold to Pipe	2
CD.151	Washer, Sparking Plugs	6
RE.15203	Joint, Hotspot to Cylinder Head	1
UE.411	Joint, Exhaust Manifold to Crankcase	6
EB.4042	Joint, Distributor Housing	1
RF.3274	Washer, Aluminium, Tappet Cover	4
KB.1092	Washer, Breather Connection	1
RE.3523	Joint, Oil Feed Connection	2
UE.5053'	Gasket, Cylinder Head	1
UE.2303'	Joint, Induction Manifold	1
UE.2628	Joint, Carburettor to Manifold	2
UE.3003	Hose, Top	1
UR.794	Washer, Petrol Filter	1
RE.13241	Joint, Air Intake to Butterfly housing	1
UE.2629	Joints, Air Intake to Carburettors	2
RE.8291	Joint, Hotspot Connection, Manifold	1
RE.12659	Hose, Joint (By Pass)	1

Used on 'B' Series BC - BG 6, 21 onwards.

Piece Number of the set is RH.2125-